

# FANATEC®

## PODIUM WHEEL BASE DD2



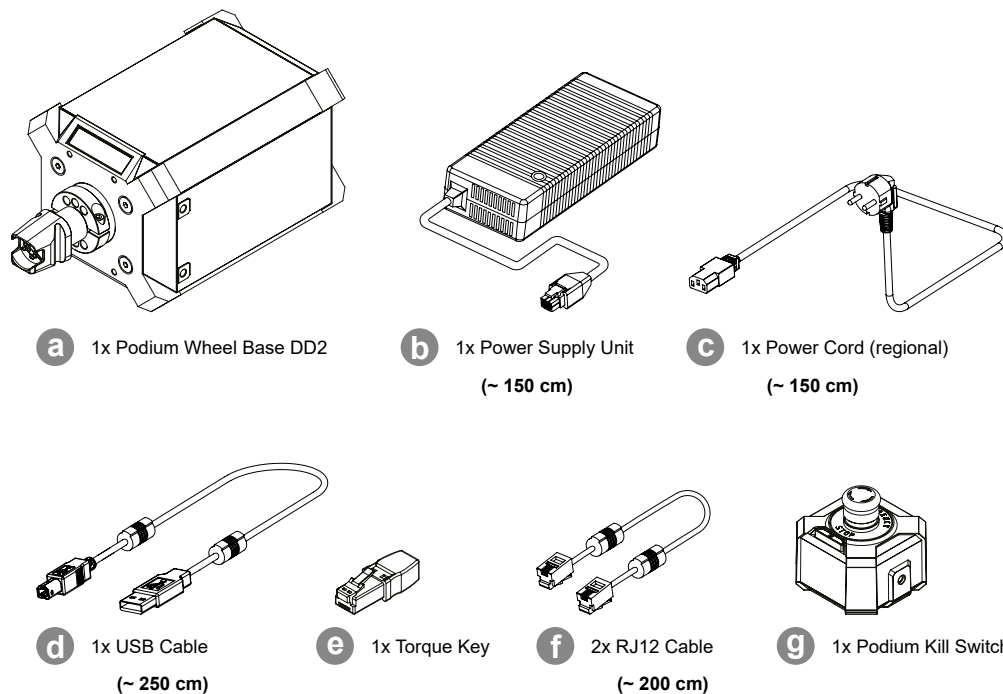
**EN** Quick Guide  
**FR** Guide De Démarrage Rapide  
**DE** Kurzanleitung  
**ES** Guía Rápida  
**IT** Guida Rapida  
**PT** Guia Rápido



Rev. 02

### A PACKAGE CONTENT

FR Contenu de l'emballage; DE Lieferumfang; ES Contenido del embalaje; IT Contenuto della confezione; PT Conteúdo da embalagem



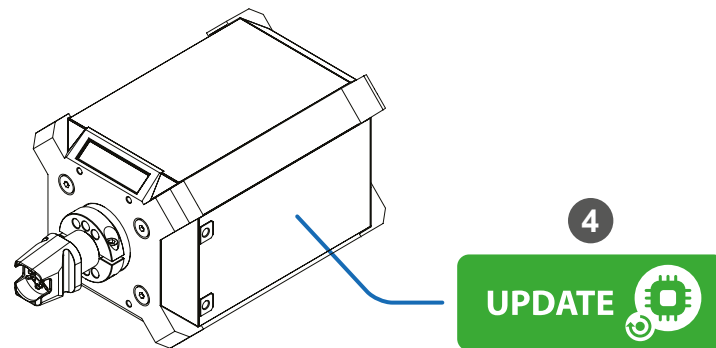
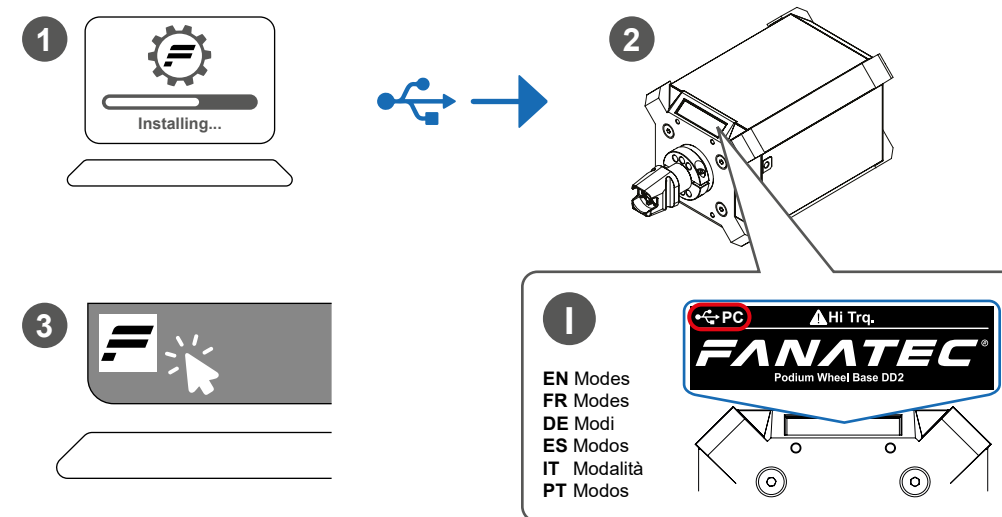
### B GETTING STARTED

FR Pour commencer; DE Erste Schritte; ES Cómo comenzar; IT Come iniziare; PT Começando



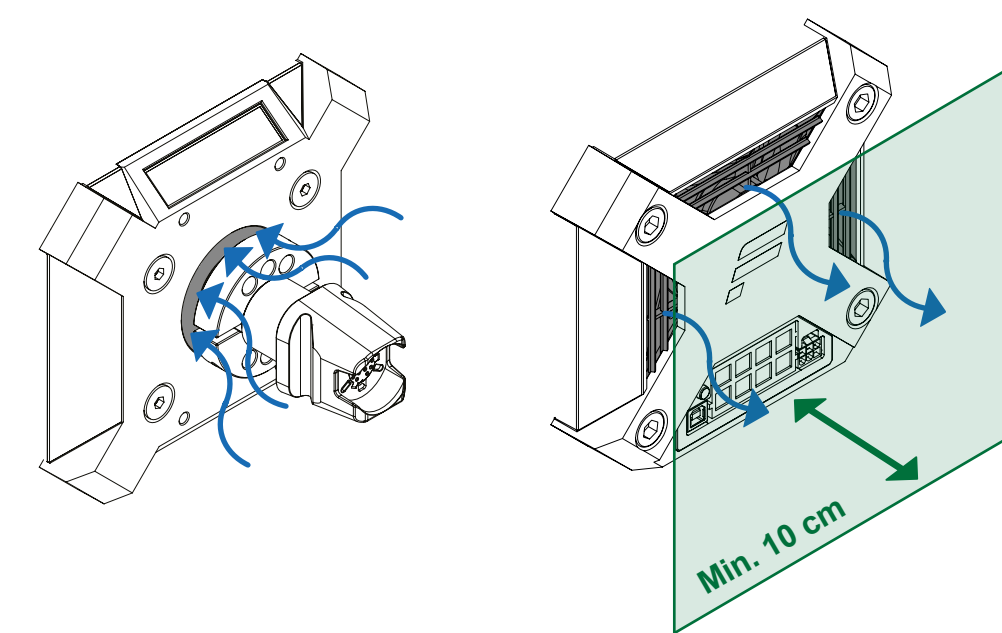
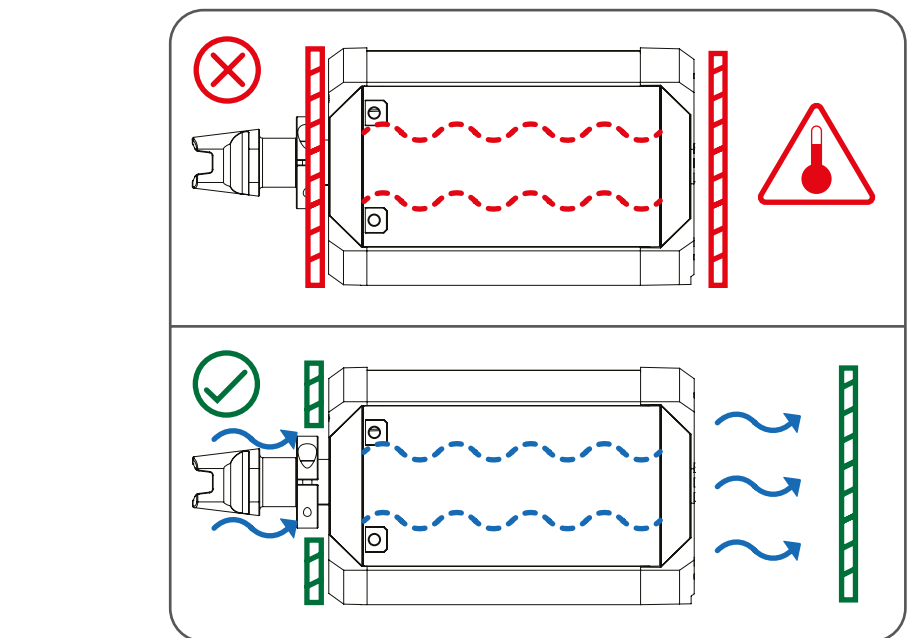
### C FIRMWARE UPDATE

FR Mise à jour du firmware; DE Aktualisierung der Firmware; ES Actualización del firmware; IT Aggiornamento del firmware; PT Atualização de Firmware



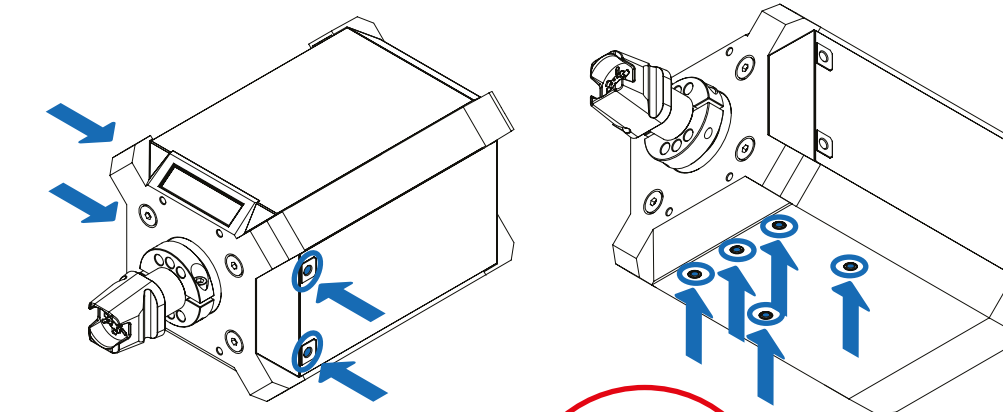
### D AIR FLOW

FR Débit d'air; DE Luftstrom; ES Flujo de aire; IT Flusso d'aria; PT Fluxo de ar

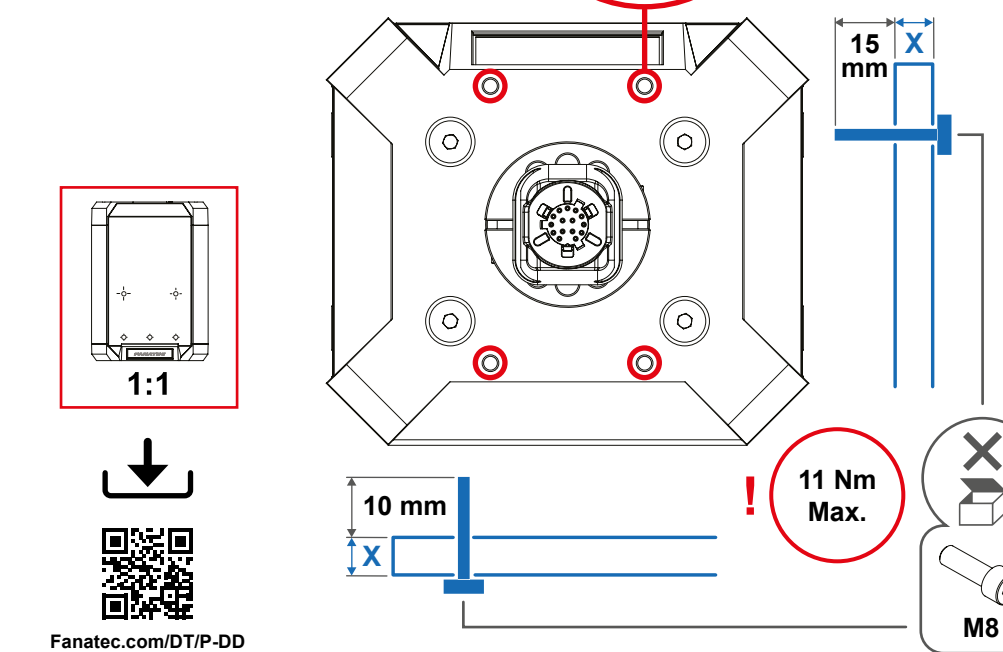


### E HARD-MOUNT

FR Installation fixe; DE Festinstallation; ES Instalación fija; IT Installazione fissa; PT Instalação fixa



**EN** Not for hard-mounting the wheel base!  
**FR** Pas pour monter la base du volant!  
**DE** Nicht zur Wheel Base-Montage geeignet!  
**ES** ¡No para montaje de la base de volante!  
**IT** Non per montare la base del volante!  
**PT** Não para montagem na base do volante!



1

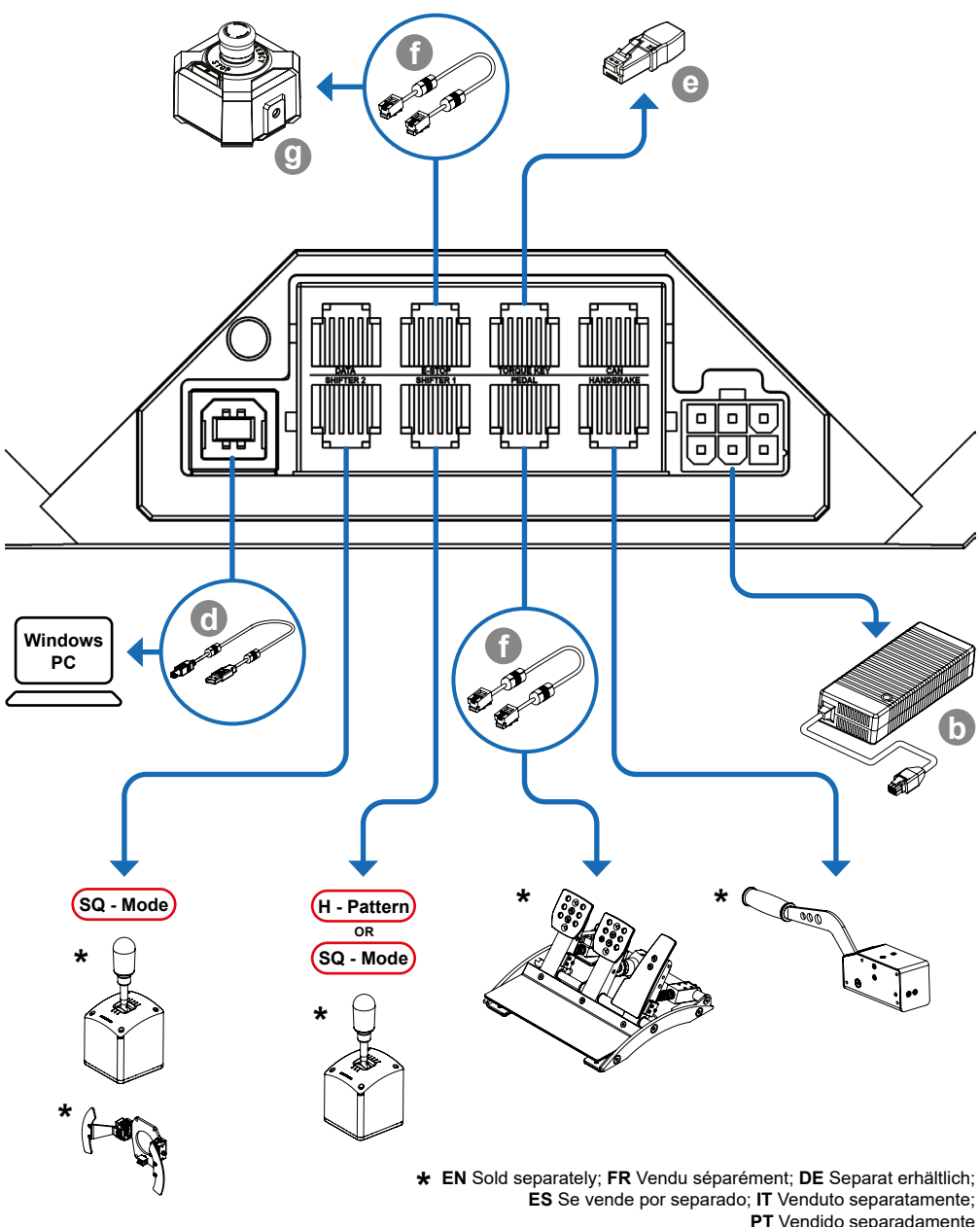
2

3

4

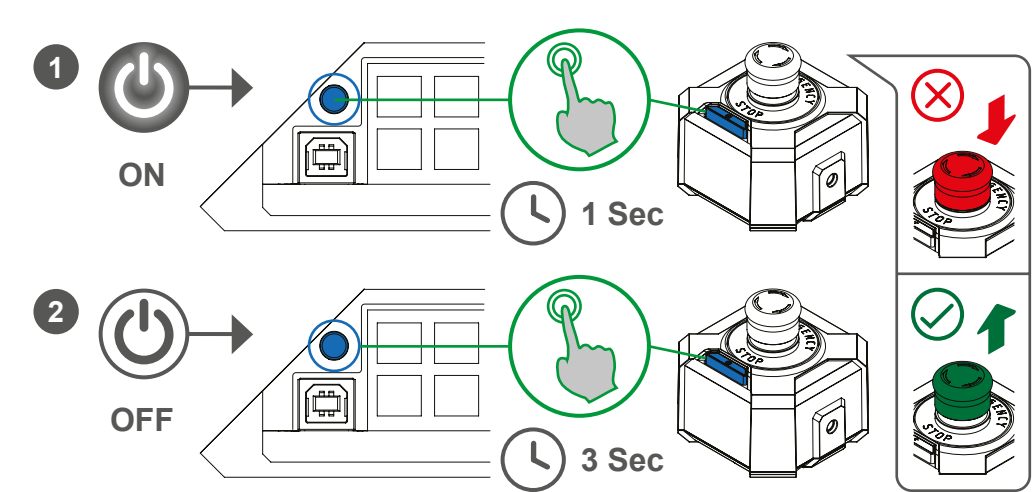
# F CONNECTIONS

FR Raccordements; DE Anschlüsse; ES Conexiones; IT Conessioni; PT Ligações



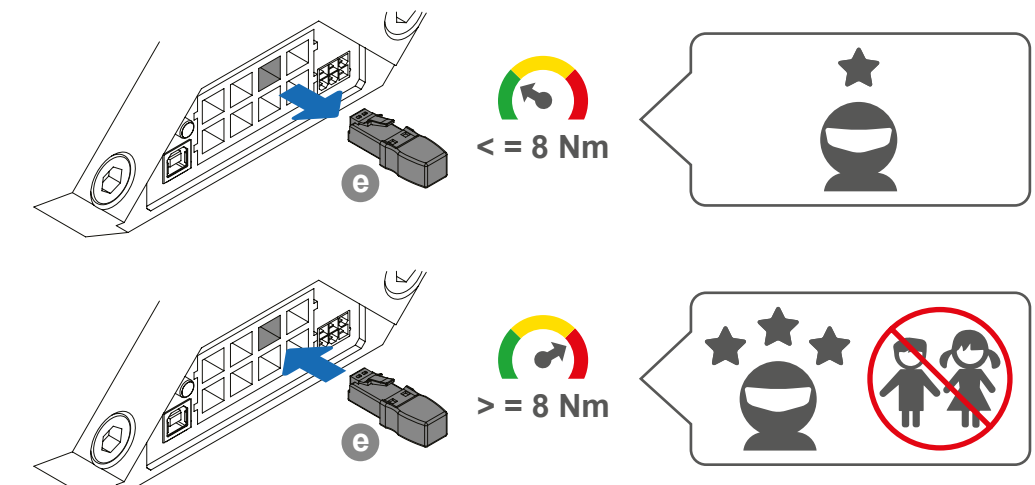
# G ON / OFF

FR Marche et arrêt; DE An und Aus; ES Encendido y apagado; IT Accensione e spegnimento; PT Ligado e desligado



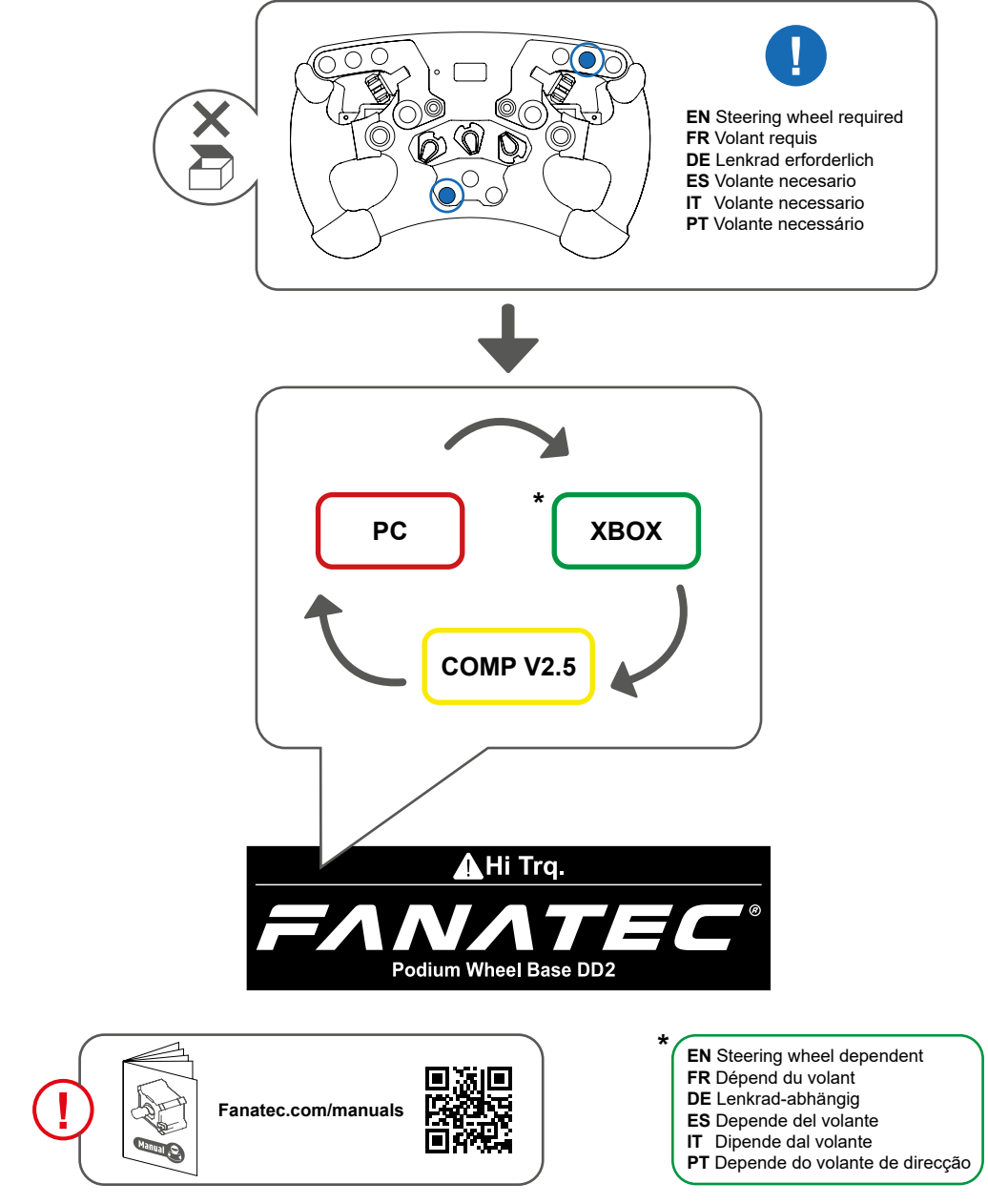
# H TORQUE KEY

FR Clé dynamométrique; DE Drehmomentschlüssel; ES Llave dinamométrica; IT Chiave dinamometrica; PT Chave de Torque



# I MODES

FR Modes; DE Modi; ES Modos; IT Modalità; PT Modos



# J DISPLAY

FR Écran; DE Bildschirm; ES Pantalla; IT Schermo; PT Ecrã

**EN Steering wheel required**  
FR Volant requis  
DE Lenkrad erforderlich  
ES Volante necesario  
IT Volante necessario  
PT Volante necessário

FunkySwitch™ / D-Pad	Display	Menu
		Default Screen
← →		Force Feedback Analysis
← →		Motor Data Analysis
← →		Temperature Analysis
↑ ↓		System Info

# K SUPPORT

FR Support technique; DE Unterstützung; ES Soporte técnico; IT Supporto tecnico; PT Suporte técnico

**VIDEO MANUAL**

**APP**

**Fanatec.com/QR/P-DD2**

**Fanatec.com/app**

**Fanatec.com/support/faq**

- EN The product warranty is provided by Endor AG. Refer to the included warranty sheet as well as the terms & conditions of Endor AG on fanatec.com.
- FR Ce produit est sous la garantie d'Endor AG. Reportez-vous aux fiches de garantie incluses ainsi qu'aux conditions générales d'Endor AG sur fanatec.com.
- DE Dieses Produkt unterliegt der Garantie der Endor AG. Beachten Sie die beiliegenden Garantietäfelchen sowie die Allgemeinen Geschäftsbedingungen der Endor AG auf fanatec.com.
- ES Este producto está bajo garantía de Endor AG. Consulte las hojas de garantía incluidas, así como los términos y condiciones de Endor AG en fanatec.com.
- IT Questo prodotto è coperto dalla garanzia di Endor AG. Fare riferimento ai fogli di garanzia inclusi nonché ai termini e condizioni di Endor AG su fanatec.com.
- PT Este produto está sob garantia da Endor AG. Consulte as folhas de garantia incluídas, bem como os termos e condições da Endor AG em fanatec.com.

This device complies with part 15 of the FCC rules. The operation of this device is subject to the following two conditions:

- This device may not cause harmful interference, and must accept any interference received, including interference that may cause undesired operation.
- This device was not modified differently than described explicitly in this user manual.

NOTE: This device was tested and approved to the limitations for class B of digital devices according to part 15 of the FCC rules. This limitation should ensure an adequate protection against harmful interferences in residential areas. However, a warranty for the non-recurring of interferences is not assumed. Do not modify the device differently than explicitly described in the product-related user manual. Nevertheless, if you do modify the device differently than explicitly described in the product-related manual, you can be determined to stop the operation of the device.

**Importers:**

Imported and distributed by Endor America LLC  
8200 Wilshire Blvd, Suite 200 - Beverly Hills CA 90211 - USA  
Telephone: +1 321-655-3524  
Email: [webshop@fanatec.com](mailto:webshop@fanatec.com)  
Website: [www.fanatec.com](http://www.fanatec.com) - [www.endor.ag](http://www.endor.ag)

Endor Australia Pty Ltd  
3 Staley Street, California Gully, Vic, 3556 - Australia  
Telephone: 661 453 979 40  
Email: [webshop@fanatec.com](mailto:webshop@fanatec.com)  
Website: [www.fanatec.com](http://www.fanatec.com) - [www.endor.ag](http://www.endor.ag)

Endor Japan Kabushikigaisya  
ES001 3-13-1, Hamuri Gyuo-ku Tokyo-to  
Tokyo 104-0053 - Japan  
Telephone: 03-6717-2719  
Email: [webshop@fanatec.com](mailto:webshop@fanatec.com)  
Website: [www.fanatec.com](http://www.fanatec.com) - [www.endor.ag](http://www.endor.ag)

Manufactured and distributed by  
**ENDOR**  
Fanatec® is a registered trademark of Endor AG  
Designed and developed by Endor AG in Germany

E.ON-Allee 3 - 84036 Landshut - Germany  
EU: 00800 0 FANATEC or +49 (871) 9221-122  
US/CANADA: 011 800 0 FANATEC or +49 (871) 9221-122  
AUSTRALIA: 00800 0 FANATEC or +49 (871) 9221-122  
JAPAN: +81 306 7172-719  
Email: [info.webshop@fanatec.com](mailto:info.webshop@fanatec.com)  
Website: [www.fanatec.com](http://www.fanatec.com) - [www.endor.ag](http://www.endor.ag)  
Made in China