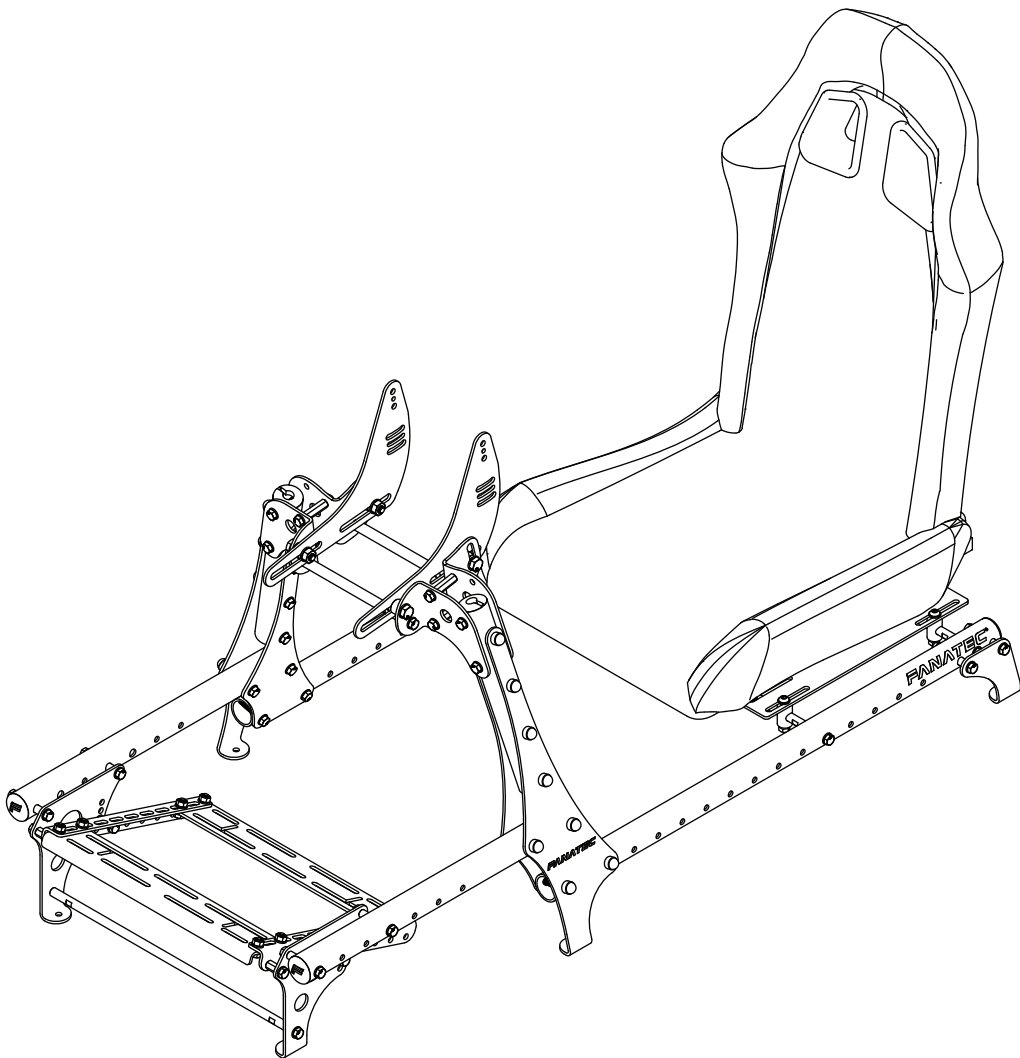


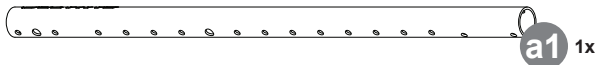
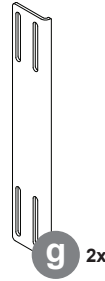
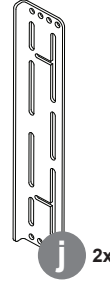
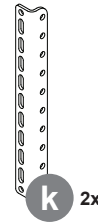
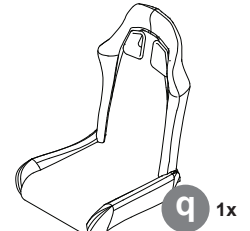
# FANATEC®

## CSL COCKPIT

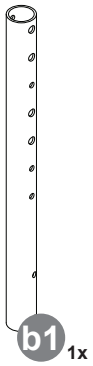
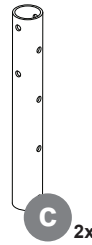
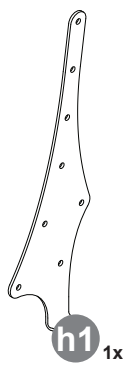
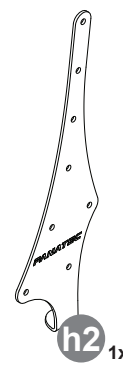
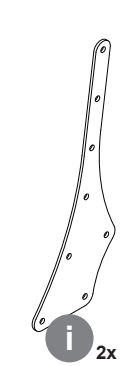
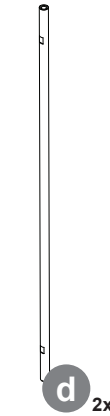
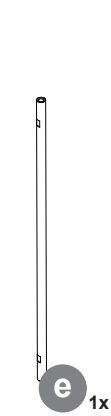
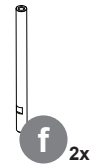
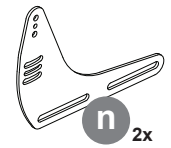
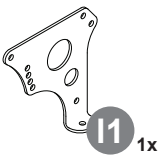
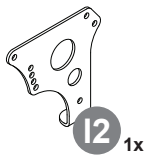
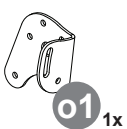
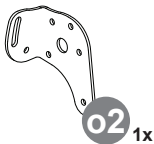
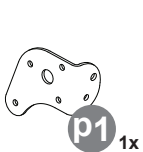






























**A****PACKAGE CONTENT**

FR Contenu de l'emballage; DE Lieferumfang; ES Contenido del embalaje; IT Contenuto della confezione; PT Conteúdo da embalagem

**1****2****a1** 1x**a2** 1x**g** 2x**j** 2x**k** 2x**q** 1x**B12**  4x - M8 x 20 mm

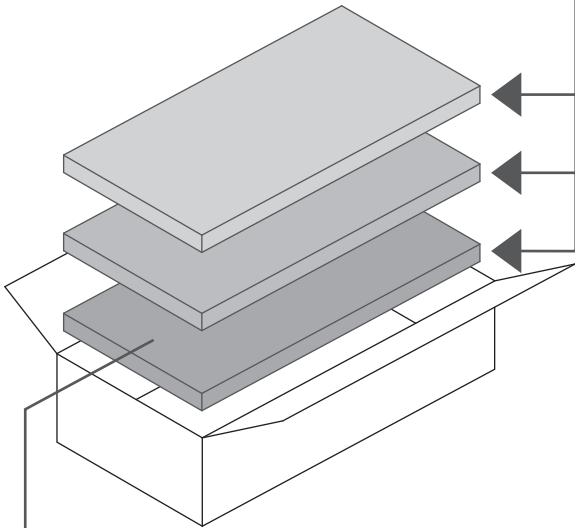
EN Sold separately  
 FR Vendu séparément  
 DE Separat erhältlich  
 ES Se vende por separado  
 IT Venduto separatamente  
 PT Vendido separadamente

**b1** 1x**b2** 1x**c** 2x**h1** 1x**h2** 1x**i** 2x**d** 2x**e** 1x**f** 2x**n** 2x**m1** 1x**m2** 1x**l1** 1x**l2** 1x**o1** 1x**o2** 1x**p1** 1x**p2** 1x

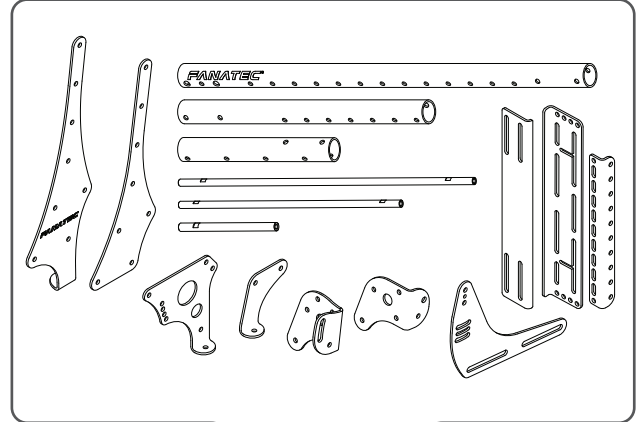
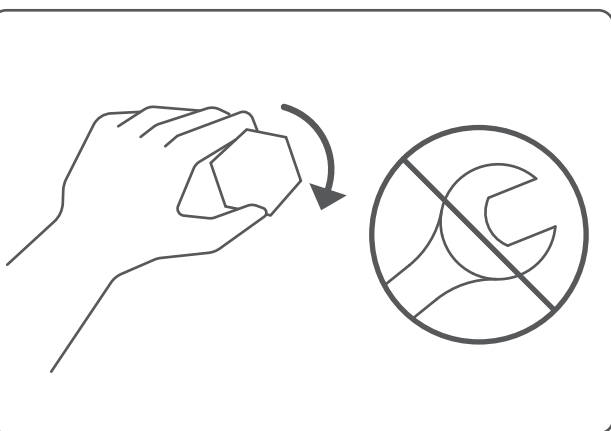
<b>B1</b>	 4x - M10 x 35 mm	<b>B2</b>	 20x - M8 x 60 mm	<b>B3</b>	 8x - M8 x 20 mm
<b>B4</b>	 46x - M8 x 14 mm	<b>B6</b>	 4x - M6 x 16 mm	<b>B7</b>	 4x - M8 x 25 mm
<b>W1</b>	 8x - M10 Washer	<b>W2</b>	 110x - M8 Washer	<b>W3</b>	 4x - M6 Washer
<b>W4</b>	 4x - M8 Washer	<b>N1</b>	 4x - M10 Nut	<b>N2</b>	 32x - M8 Nut
<b>P1</b>	 4x - M10 Spacer	<b>P2</b>	 4x - M8 Cyl. Nut	<b>P3</b>	 8x - M8 Rod
<b>P4</b>	 4x - M8 Hex Nut	<b>P5</b>	 4x - M8 Hex Nut	<b>P6</b>	 16x - 13 mm Caps
<b>P7</b>	 6x - Rubber Pads	<b>P8</b>	 6x - Felt Pads	<b>P9</b>	 4x - Tube Caps
<b>P10</b>	 4x - Cable Caps	<b>T1</b>	 2x - 13 mm 16 mm	<b>T3</b>	 1x - 5 mm
<b>B11</b>	 4x - M8 x 14 mm	<b>T2</b>	 5x - Velcro Strip	<b>T4</b>	 1x - 6 mm
<b>W7</b>	 4x - M8 3 mm Washer				

**B****GETTING STARTED**

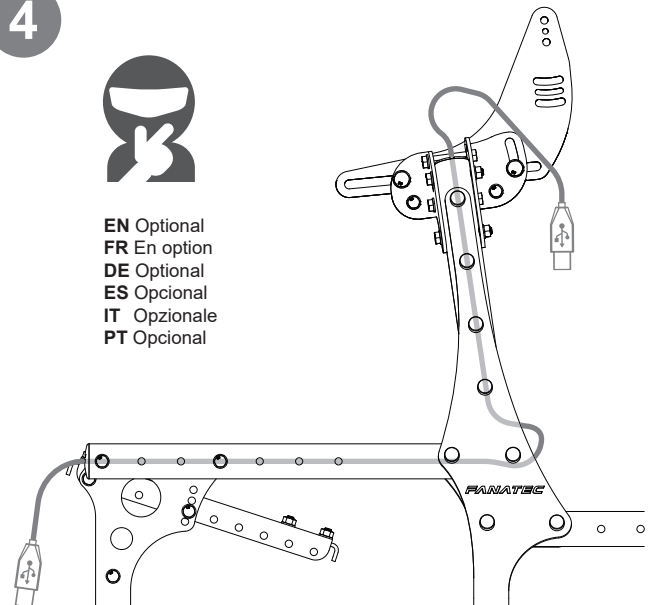
FR Pour commencer; DE Erste Schritte; ES Cómo comenzar; IT Come iniziare; PT Começando

**1****3x**

**i** 2x   **n** 2x

**2****3****1****14****4**

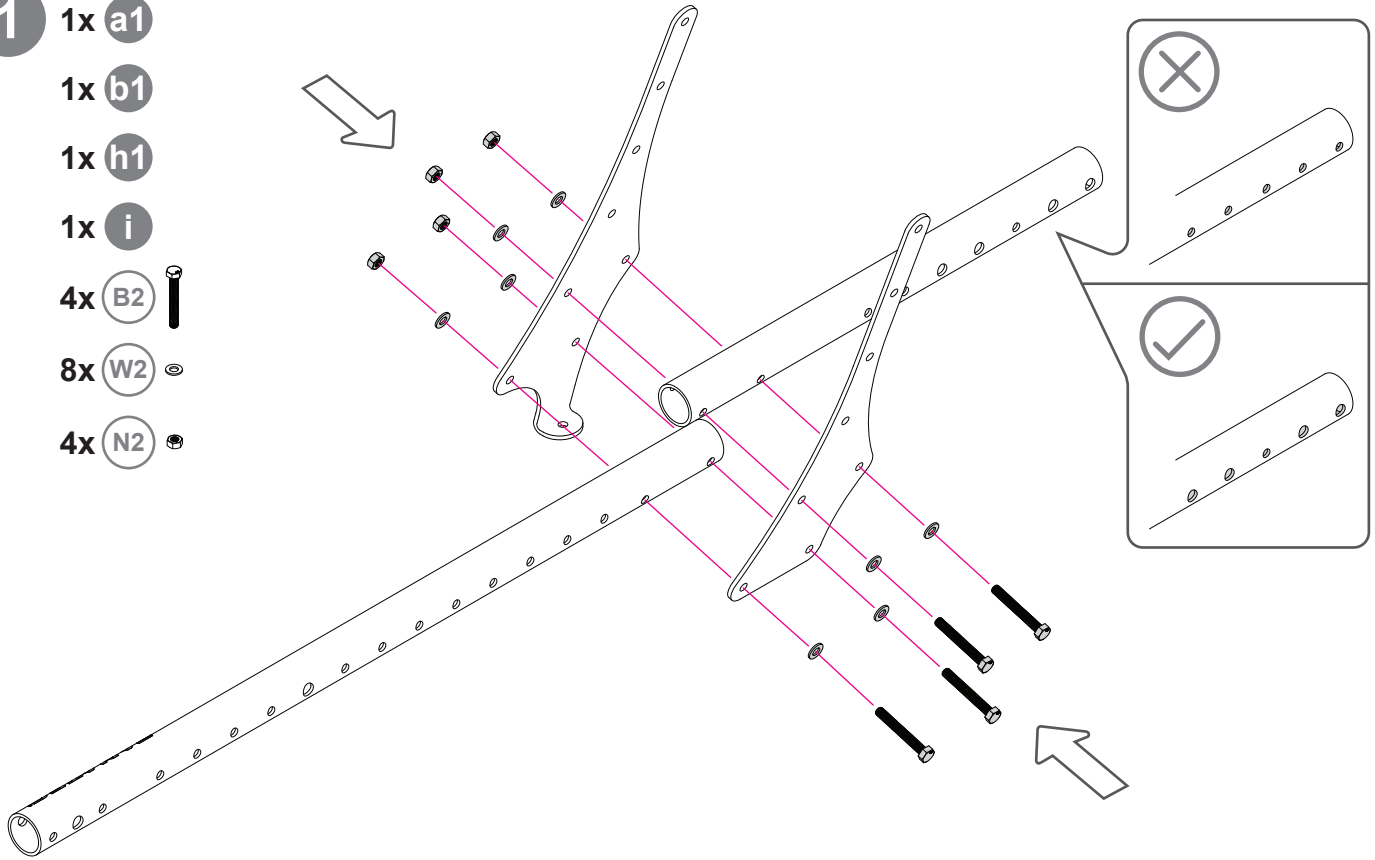
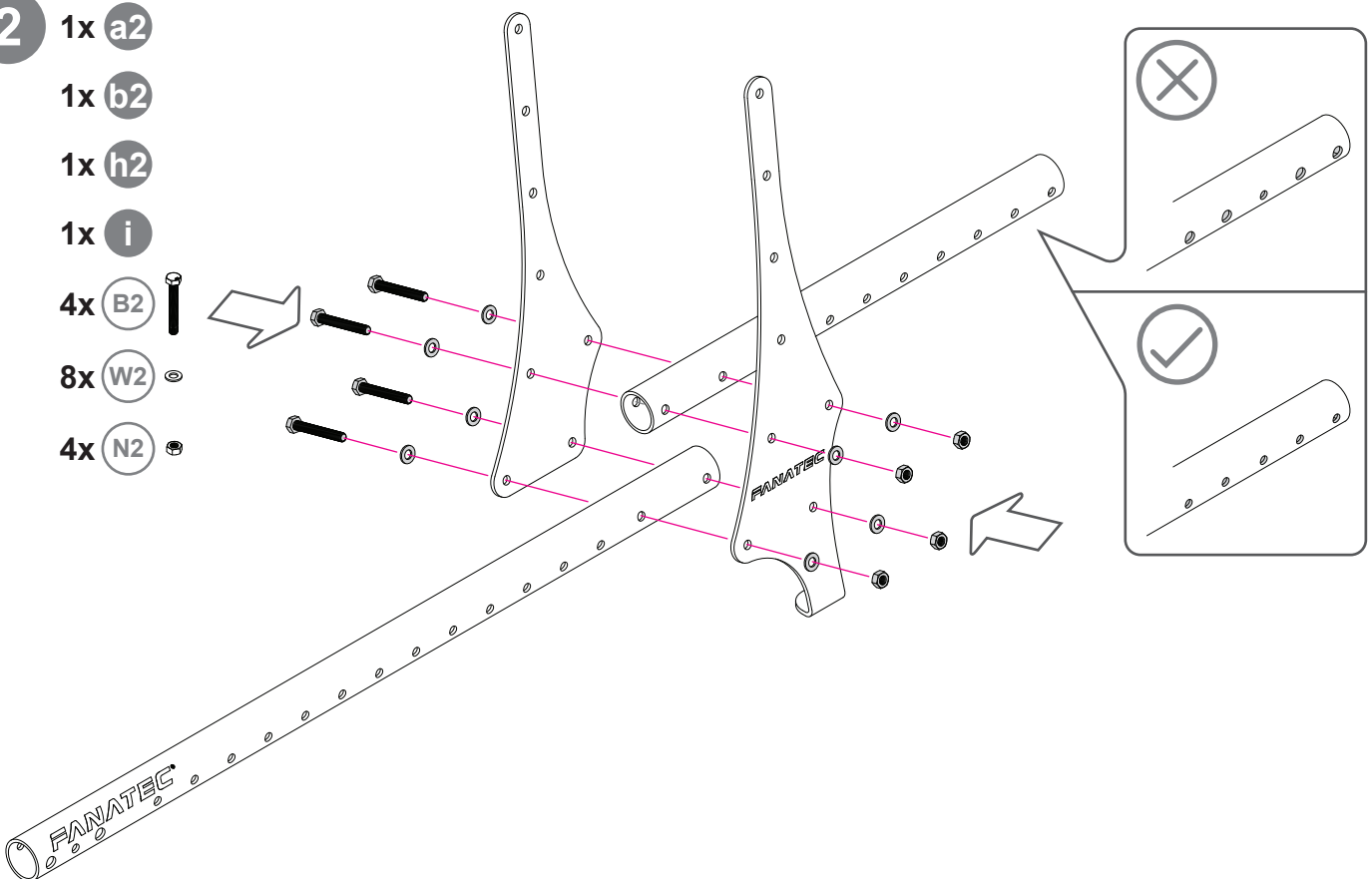
EN Optional  
FR En option  
DE Optional  
ES Opcional  
IT Opzionale  
PT Opcional



Fanatec.com/QR/CSL-C-Cable-Routing

**C****COCKPIT ASSEMBLY**

FR Assemblage du cockpit; DE Zusammenbau des Cockpit; ES Montaje del cockpit; IT Montaggio del cockpit; PT Montagem da cockpit

**1** 1x **a1**1x **b1**1x **h1**1x **i**4x **B2** 8x **W2** 4x **N2** **2** 1x **a2**1x **b2**1x **h2**1x **i**4x **B2** 8x **W2** 4x **N2** 

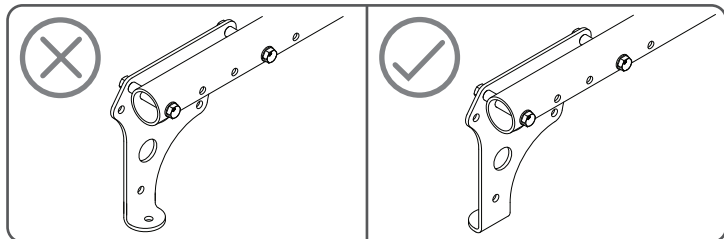
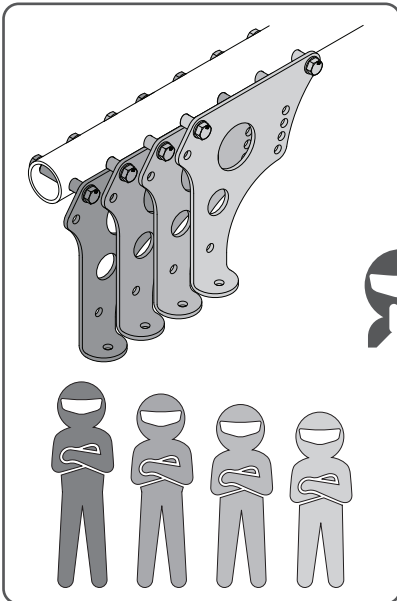
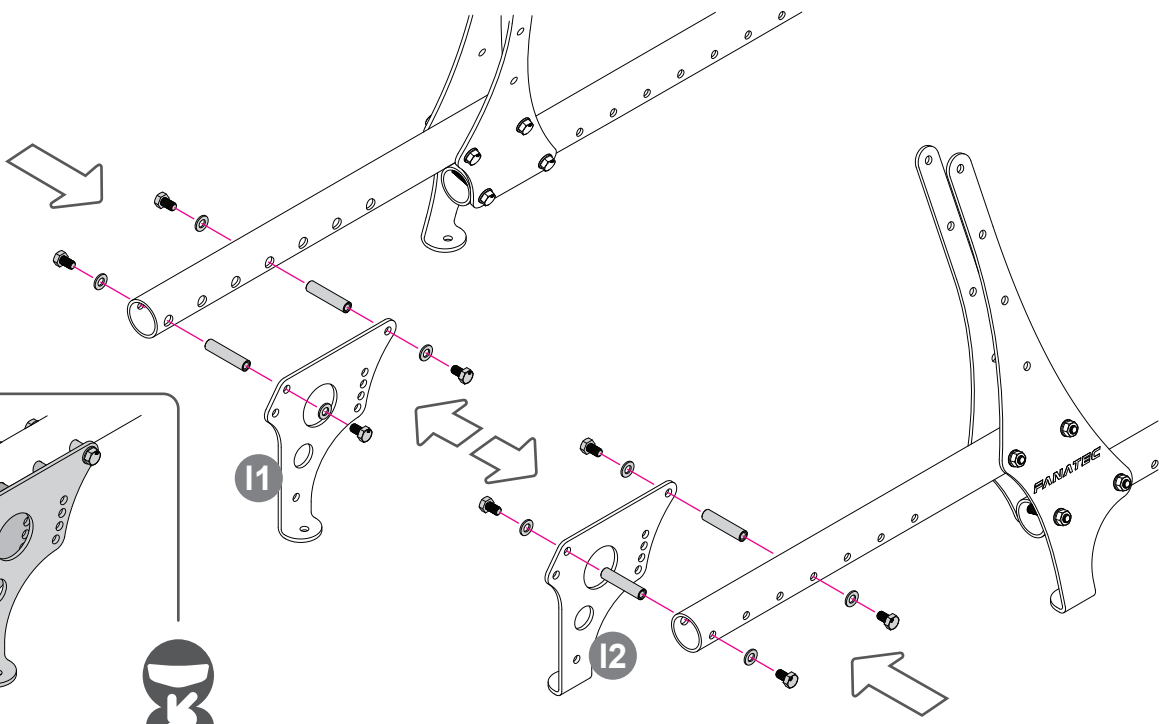
3 1x I1

1x I2

8x B4

8x W2

4x P3

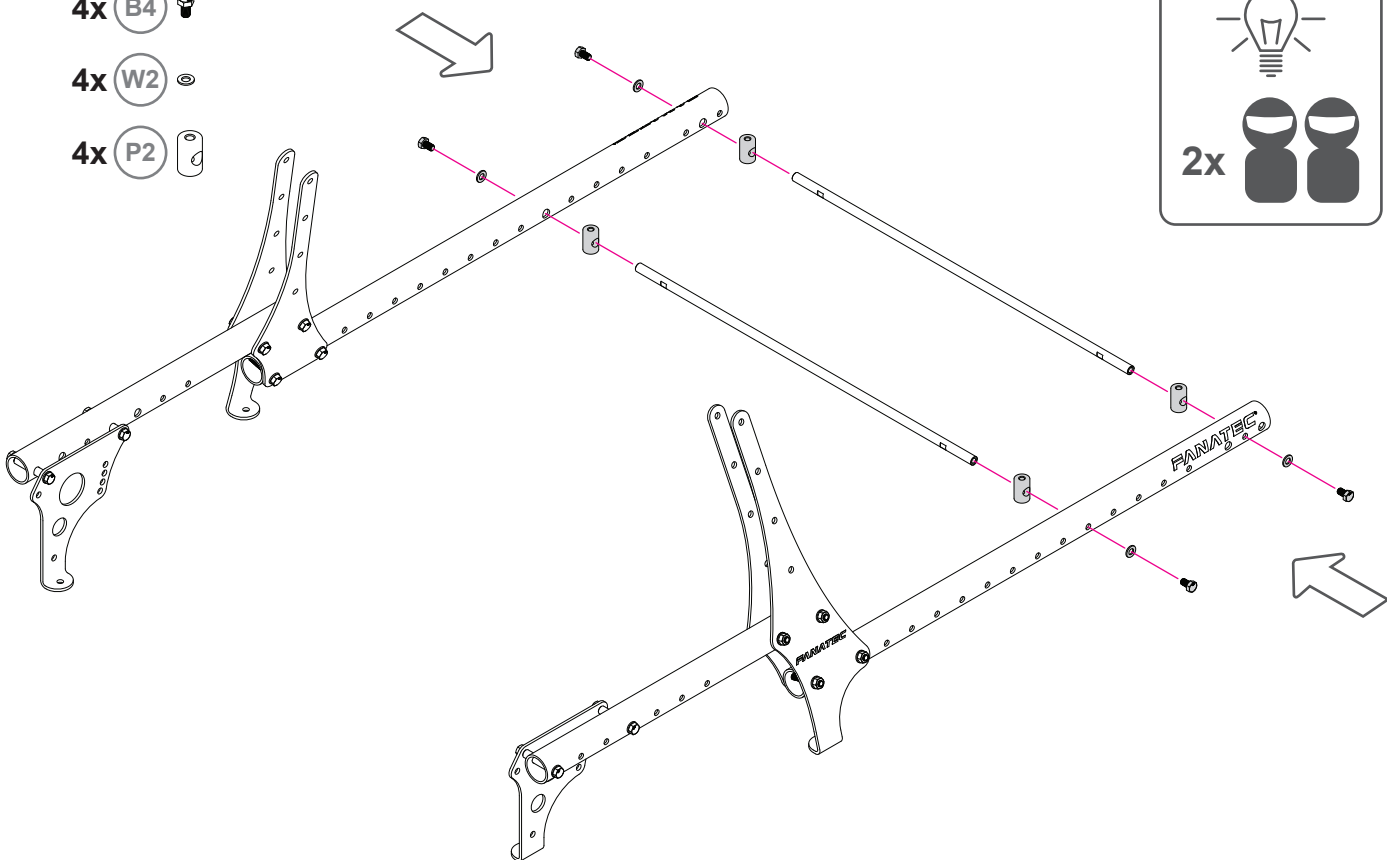
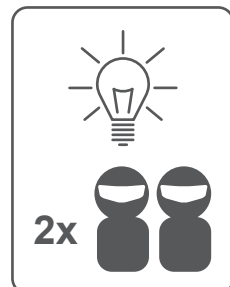


4 2x d

4x B4

4x W2

4x P2



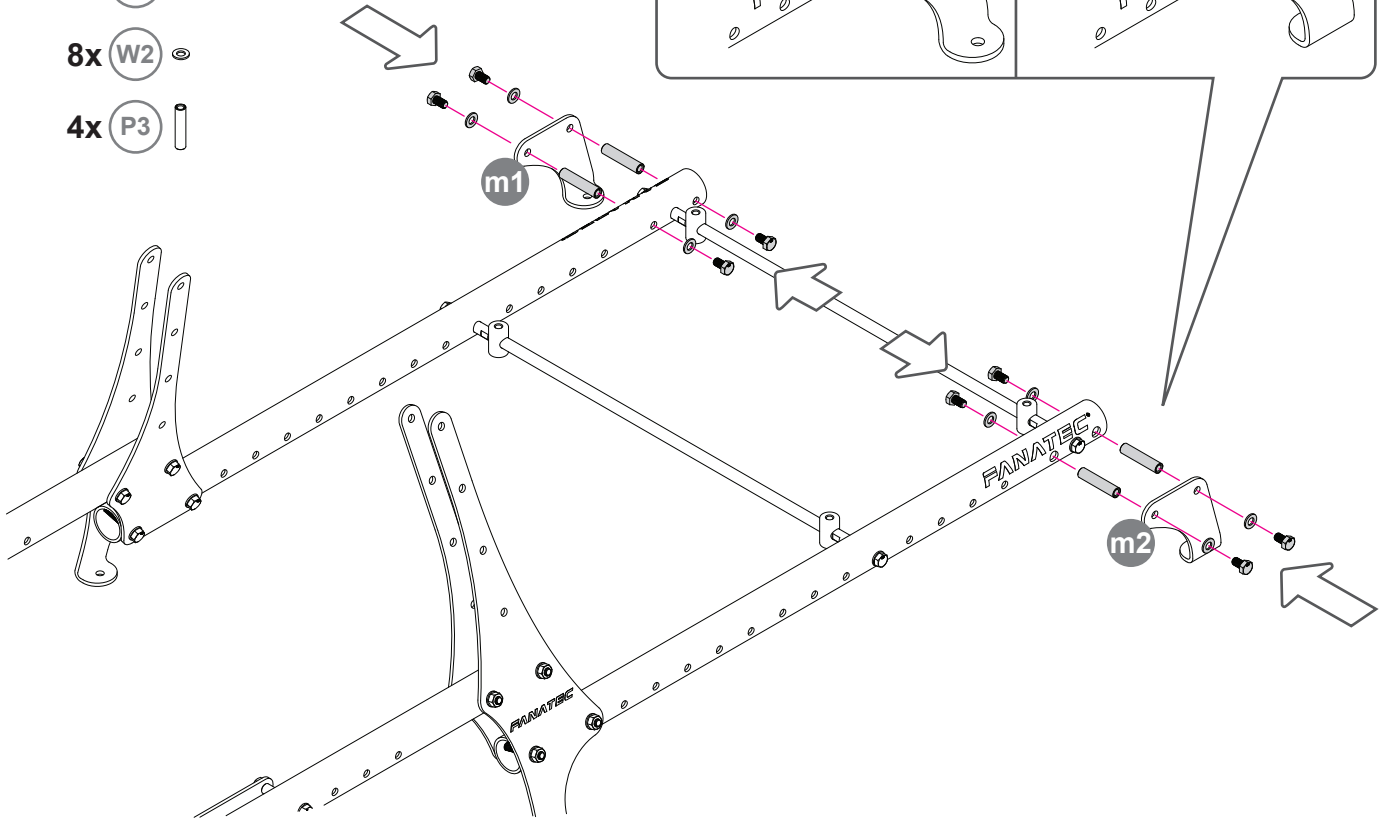
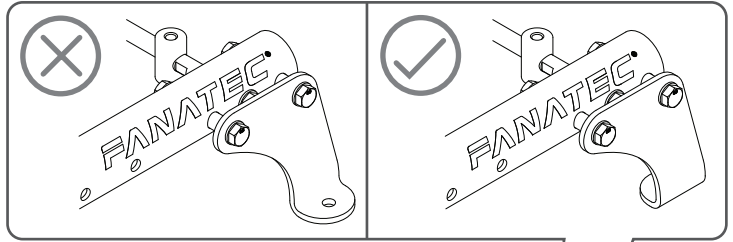
5 1x m1

1x m2

8x B4

8x W2

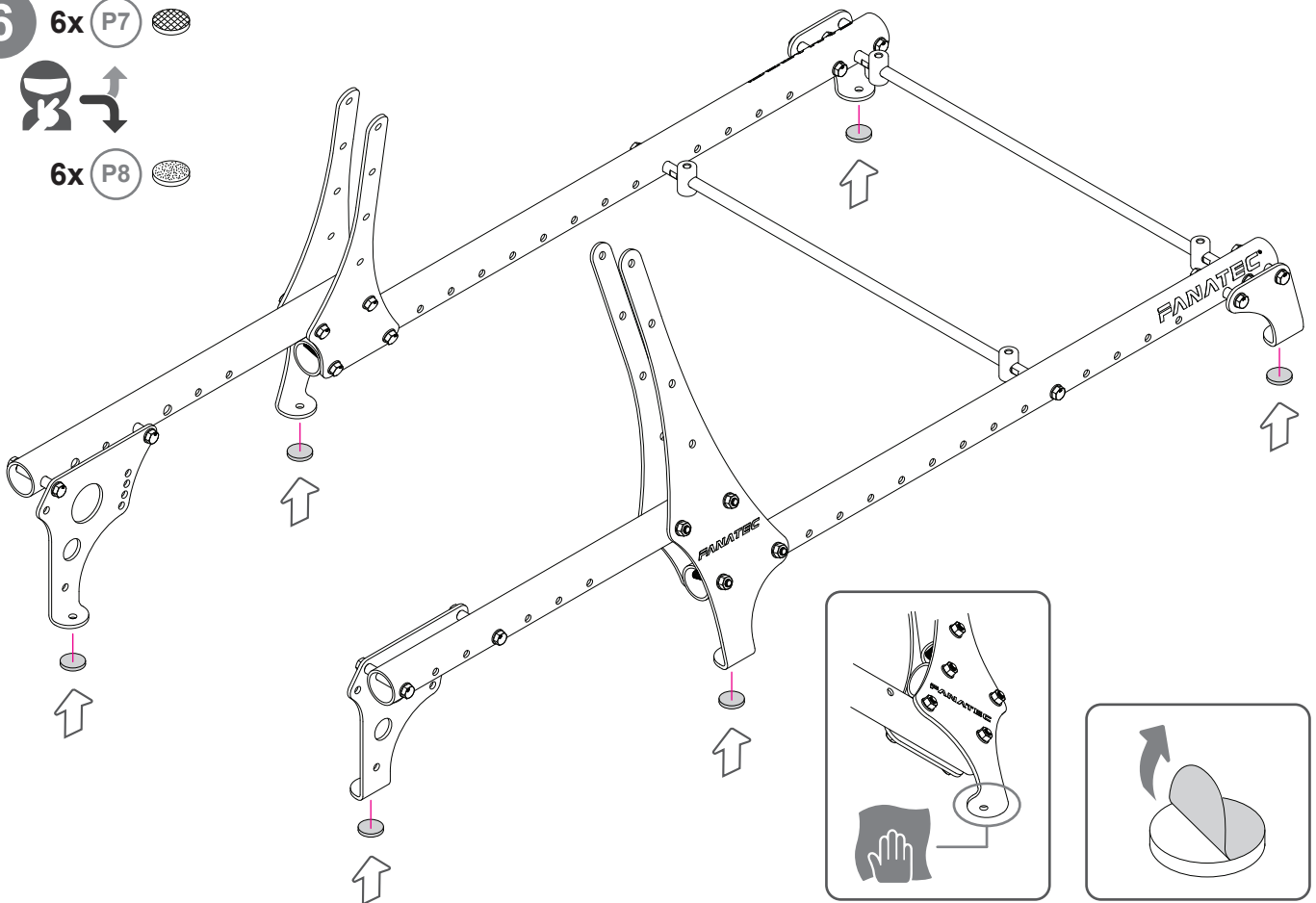
4x P3



6 6x P7

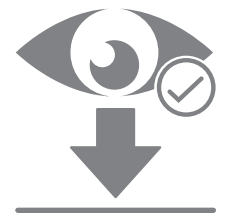
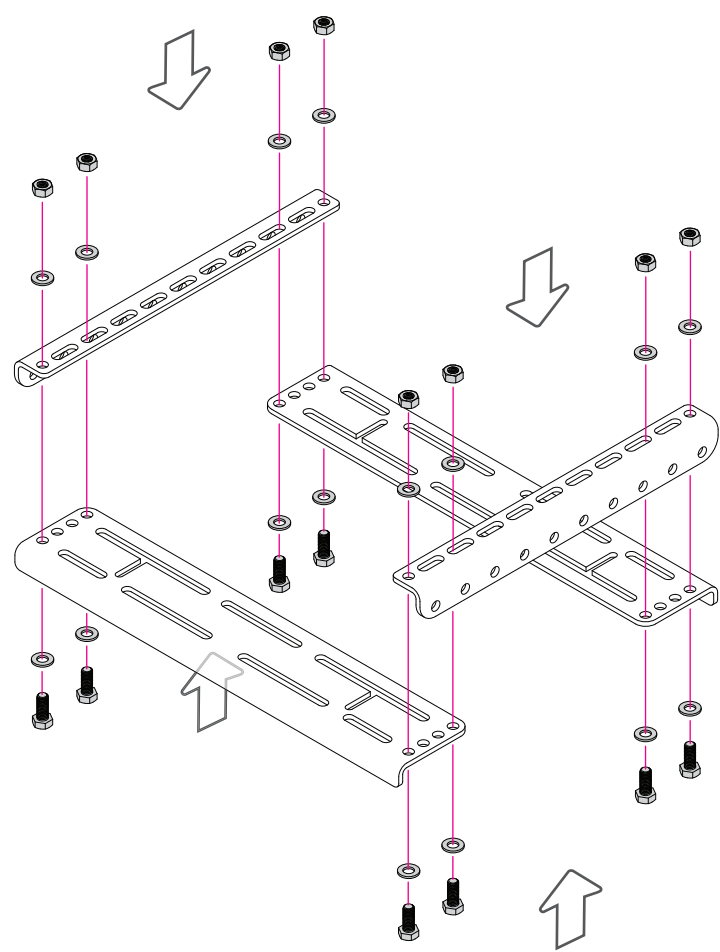


6x P8



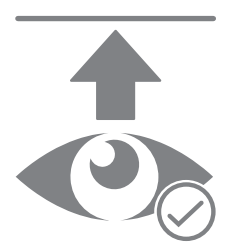
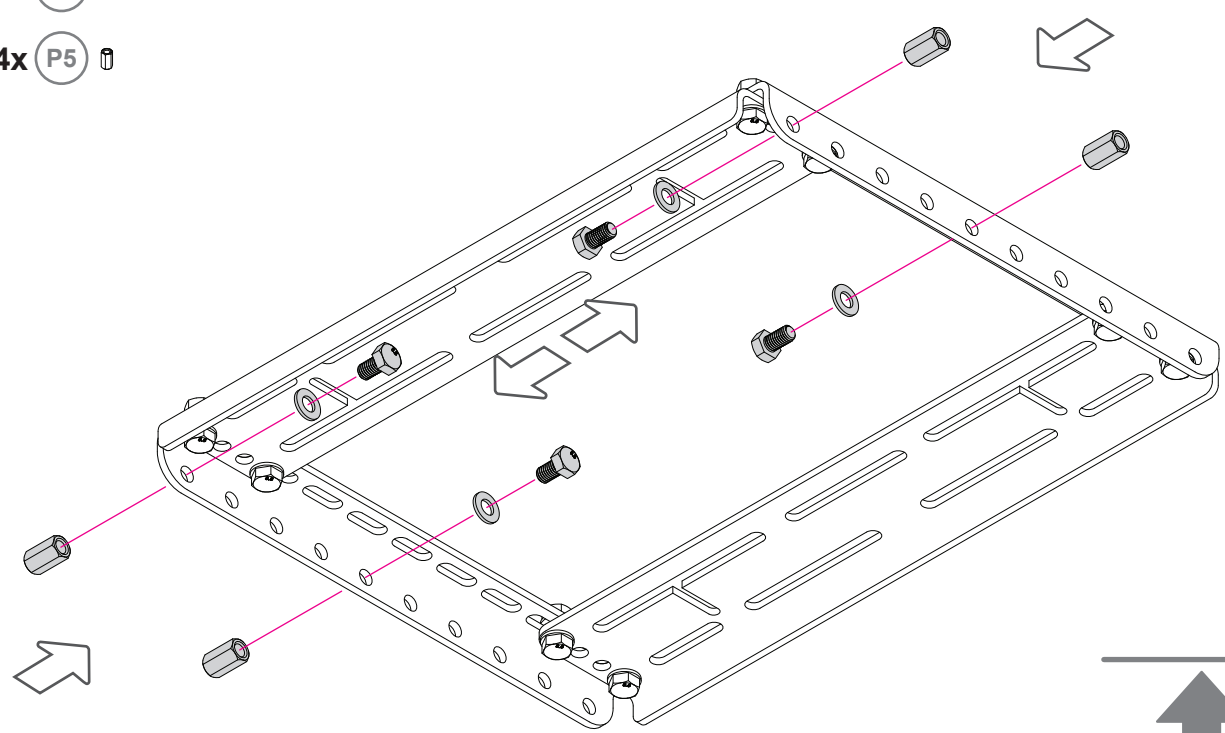
7

- 2x j
- 2x k
- 8x B3
- 16x W2
- 8x N2



8

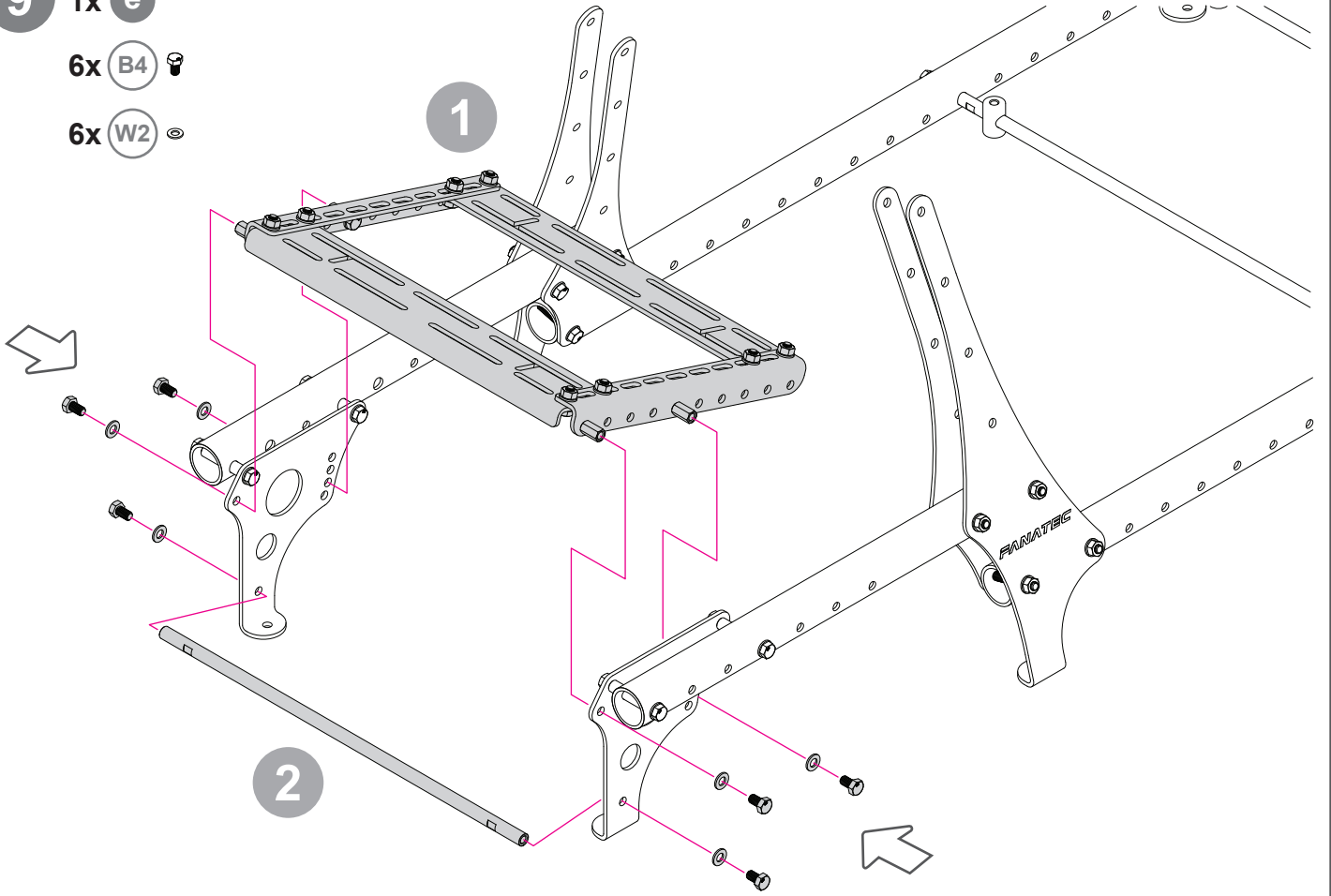
- 4x B4
- 4x W2
- 4x P5



9 1x e

6x B4

6x W2

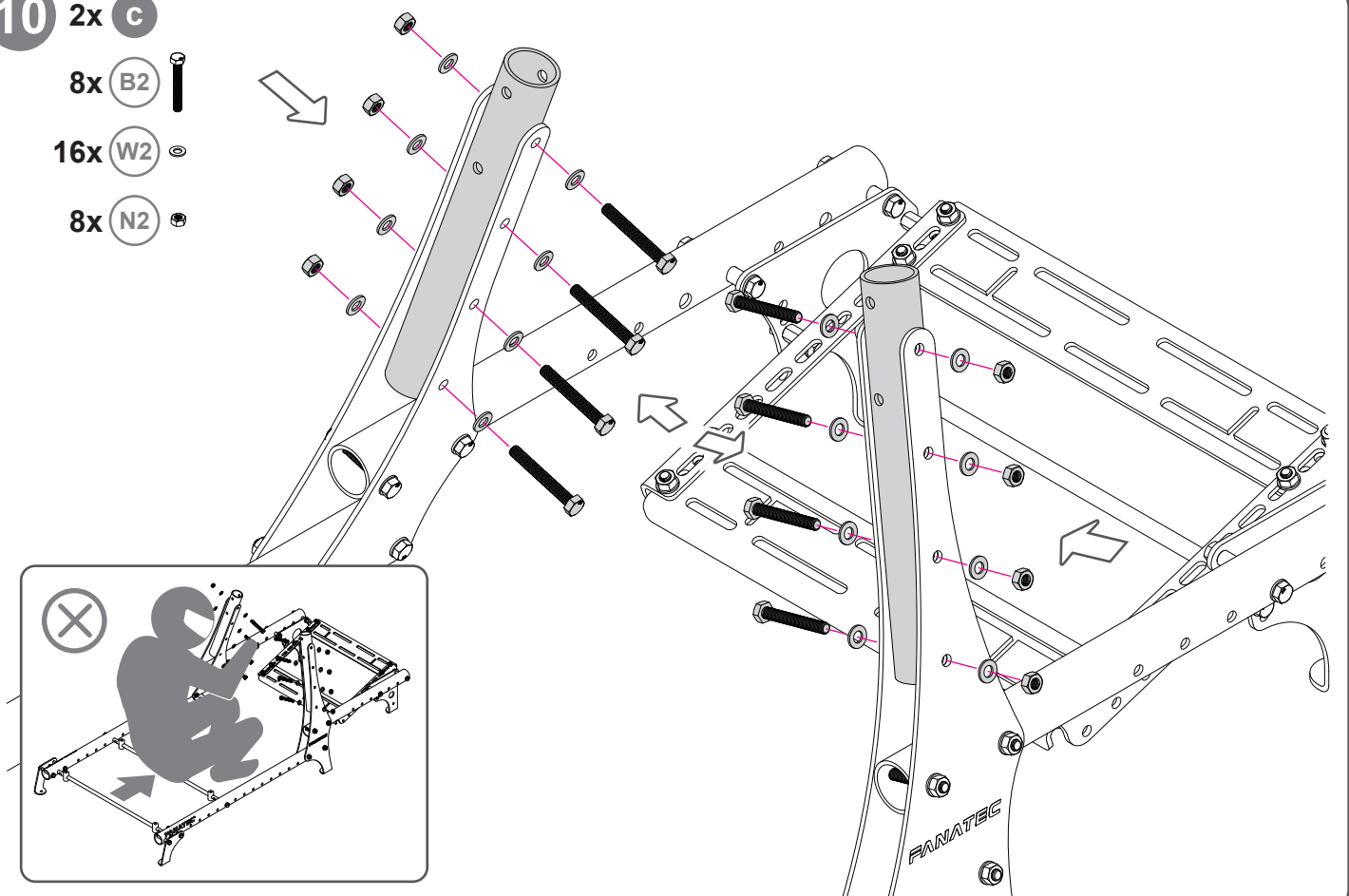


10 2x c

8x B2

16x W2

8x N2





11

1x o1

1x o2

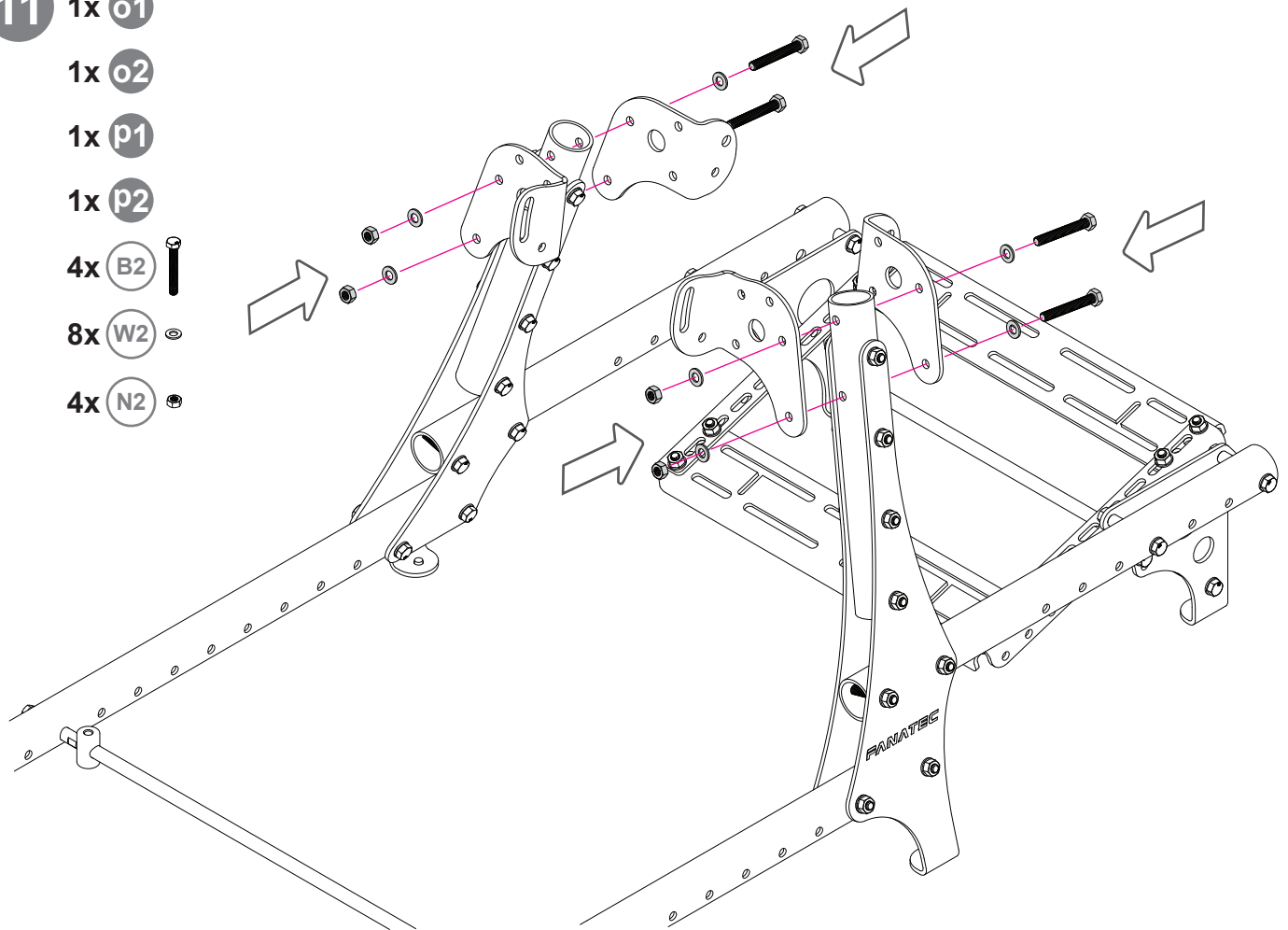
1x p1

1x p2

4x B2

8x W2

4x N2

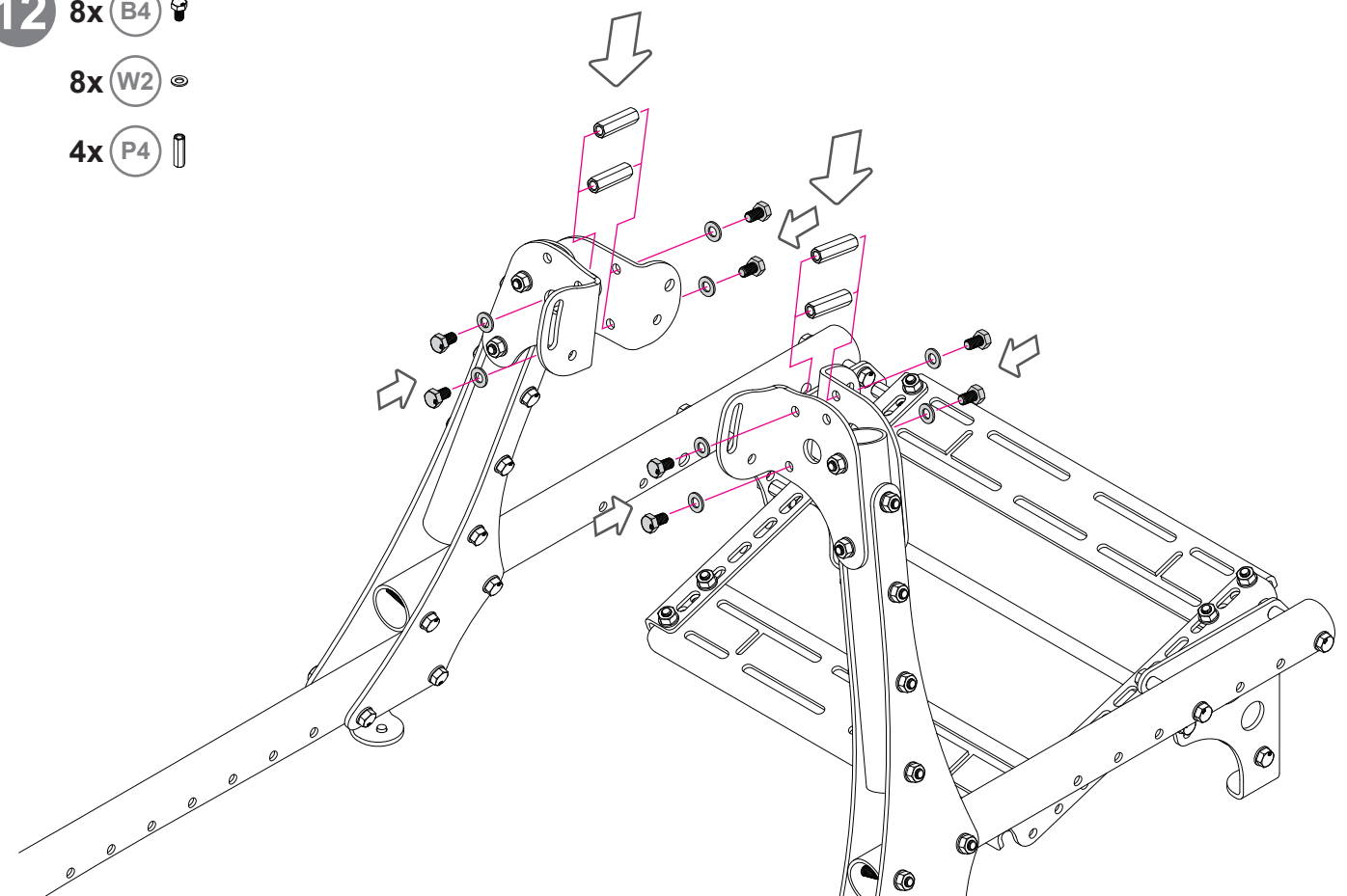


12

8x B4

8x W2

4x P4

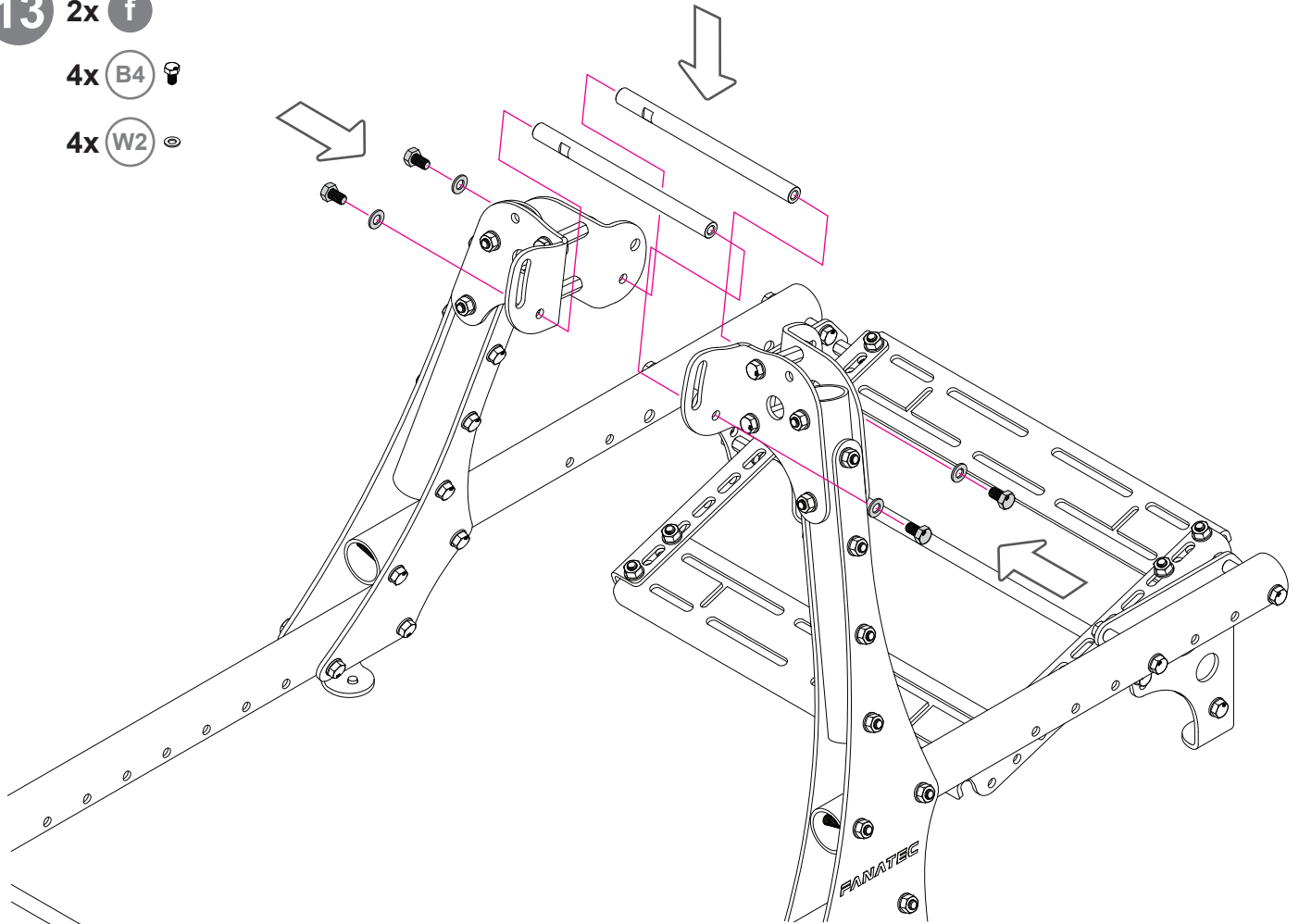


13

2x f

4x B4

4x W2



14

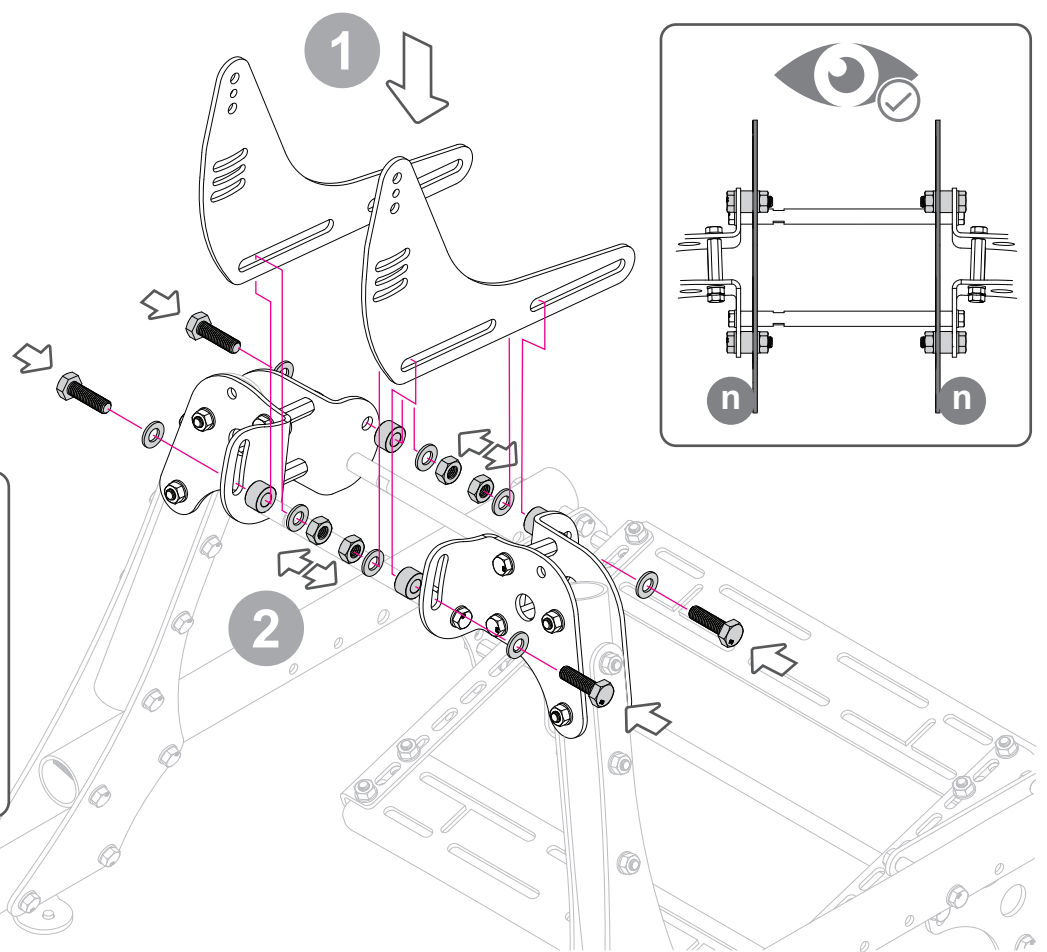
2x n

4x B1

8x W1

4x N1

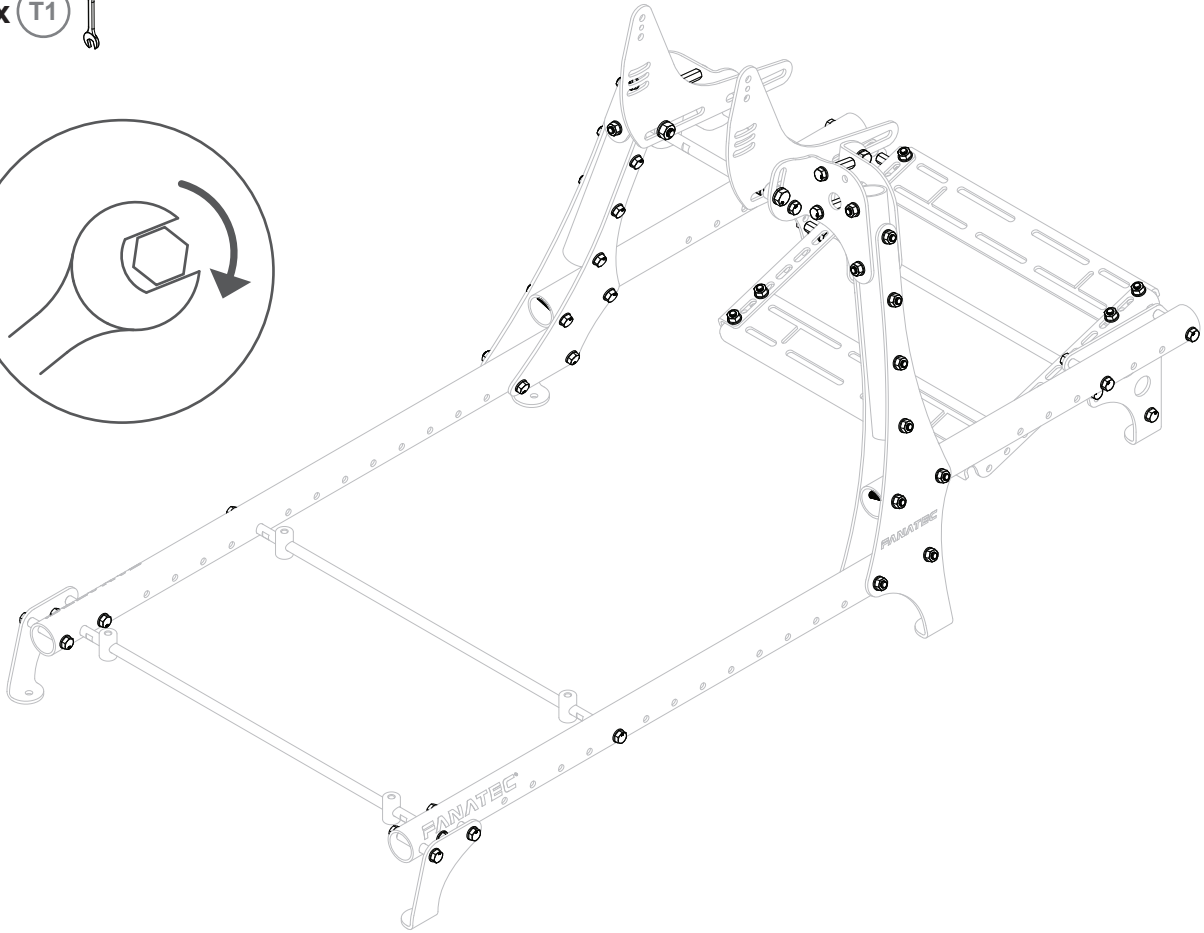
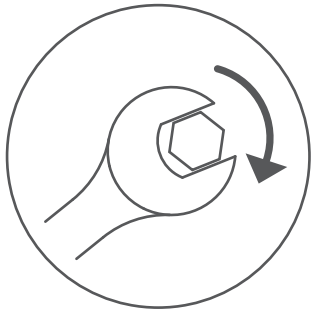
4x P1



Podium DD1 / 2  
Wheel Base

ClubSport DD / DD+  
CSL DD / GT DD PRO  
Wheel Base

15 2x T1 

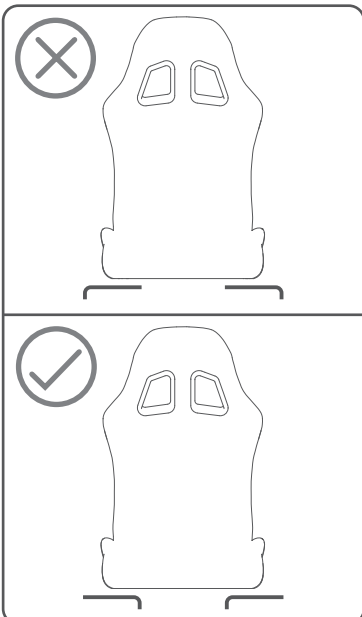
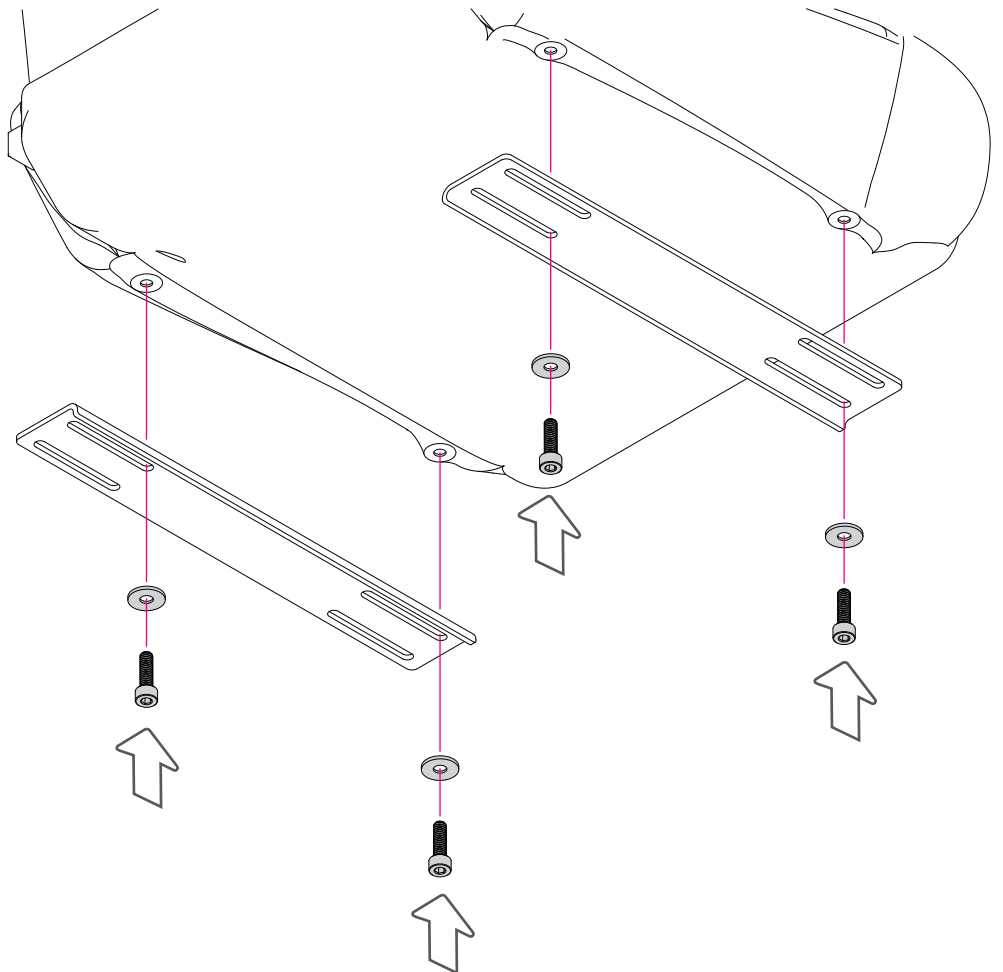


16 1x q 

2x g 

4x W4 

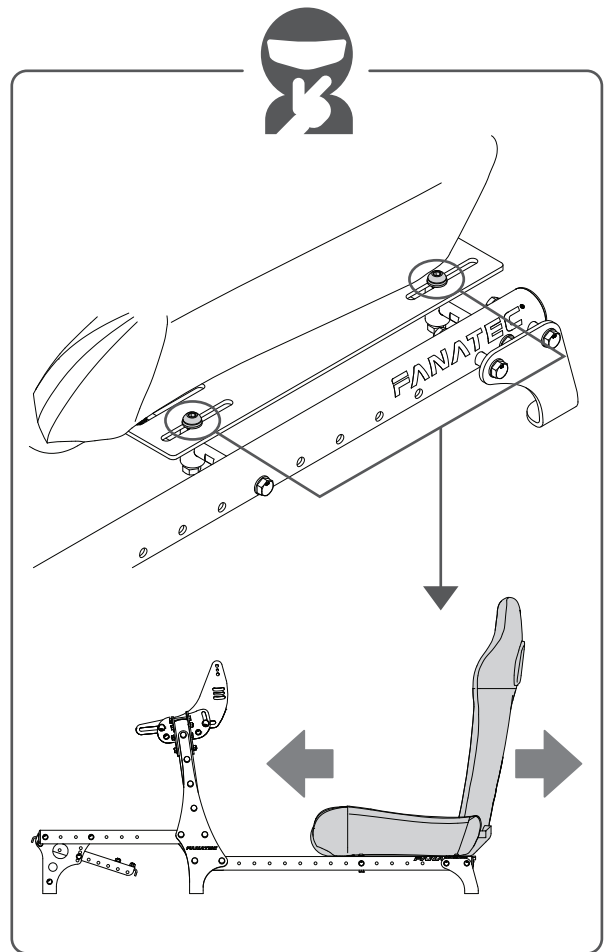
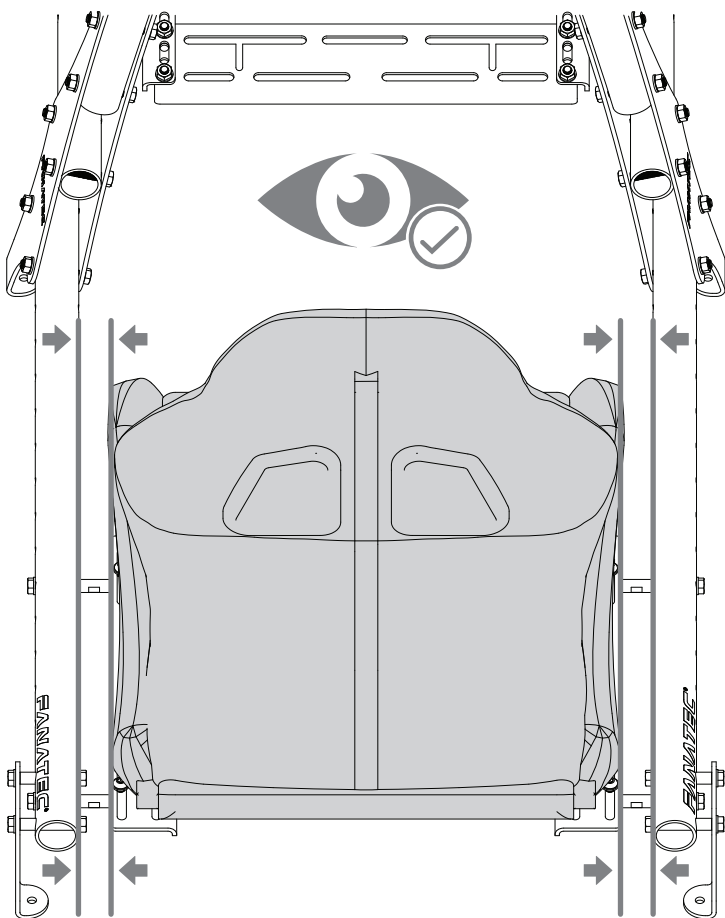
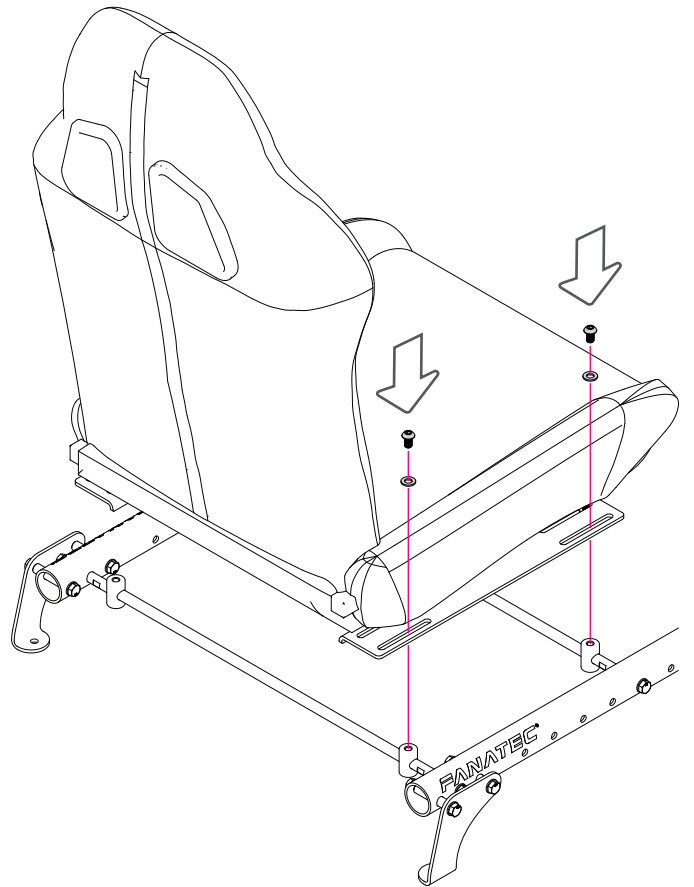
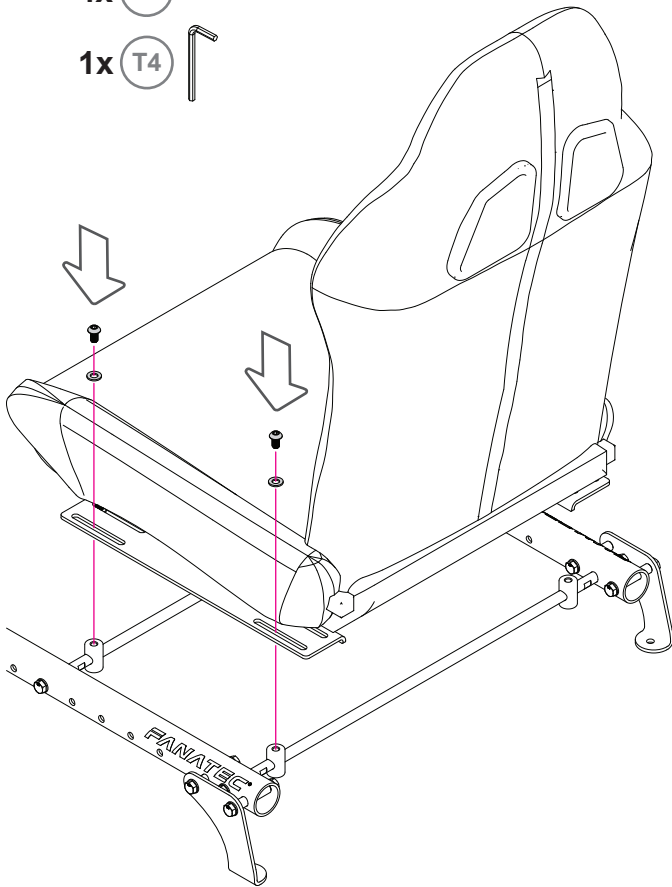
1x T4 



17 4x B11

4x W2

1x T4

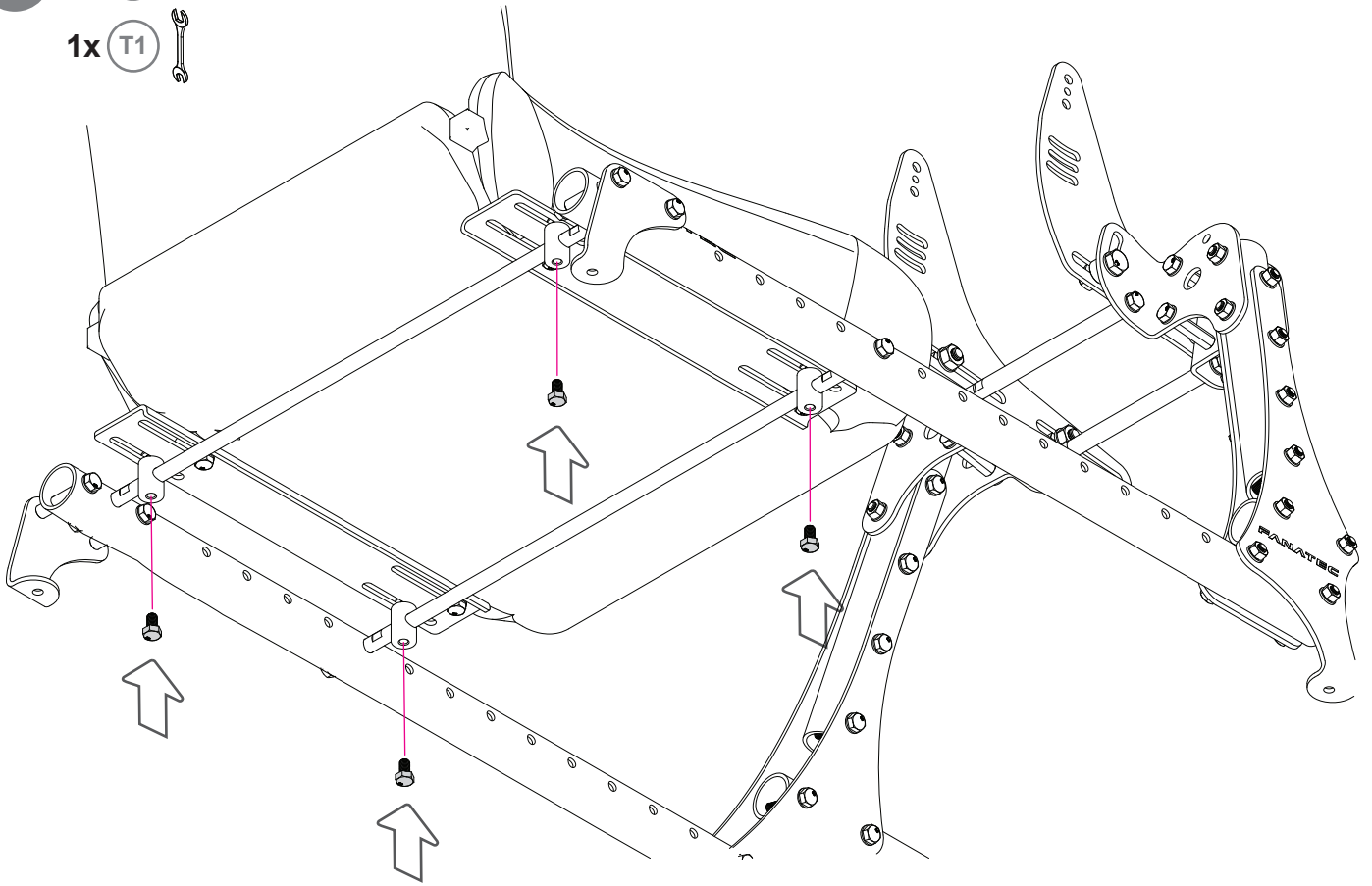


18

4x B4



1x T1



19

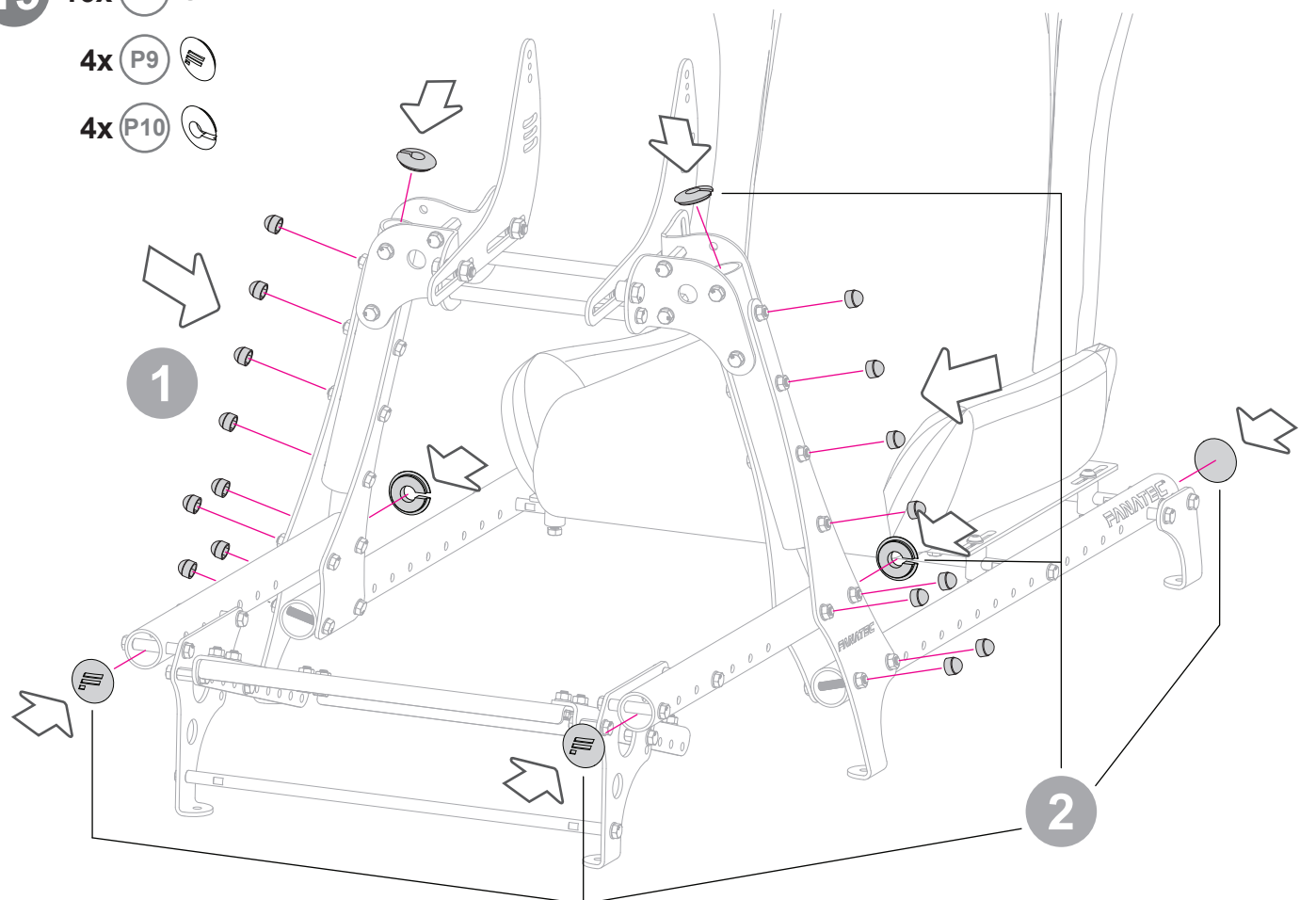
16x P6

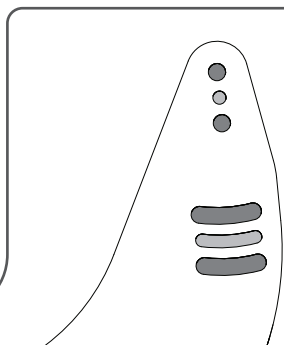
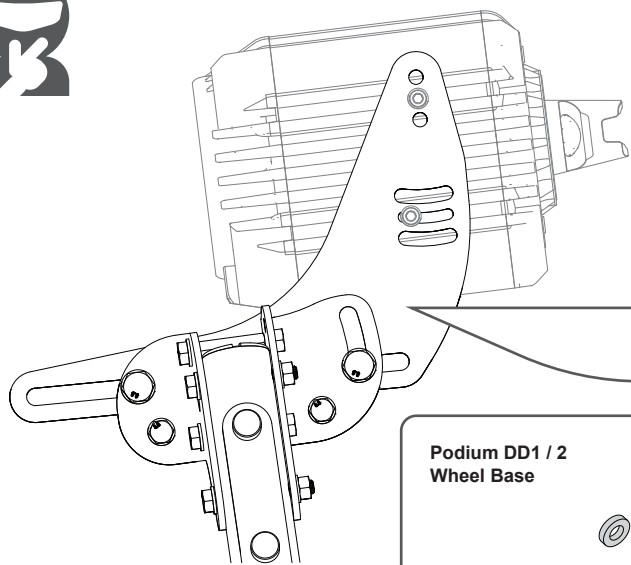


4x P9



4x P10

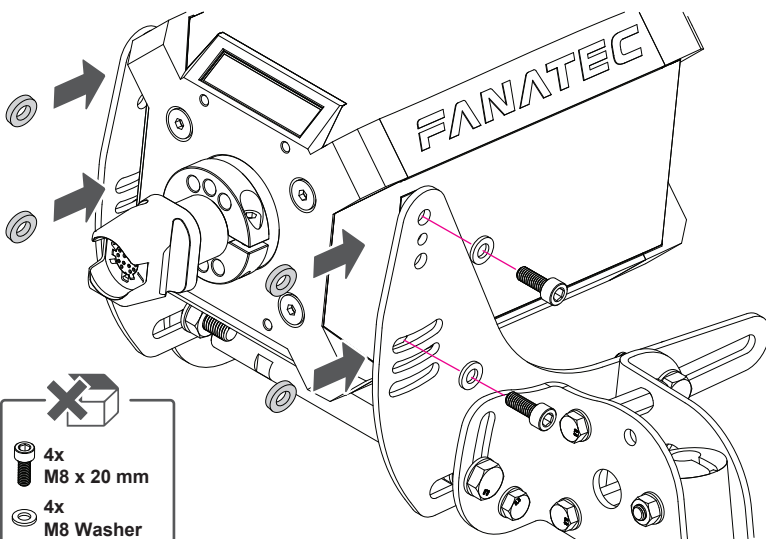




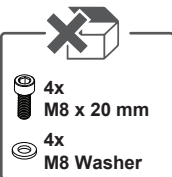
● Podium DD1 / 2  
Wheel Base

● ClubSport DD / DD+  
CSL DD / GT DD PRO  
Wheel Base

Podium DD1 / 2  
Wheel Base

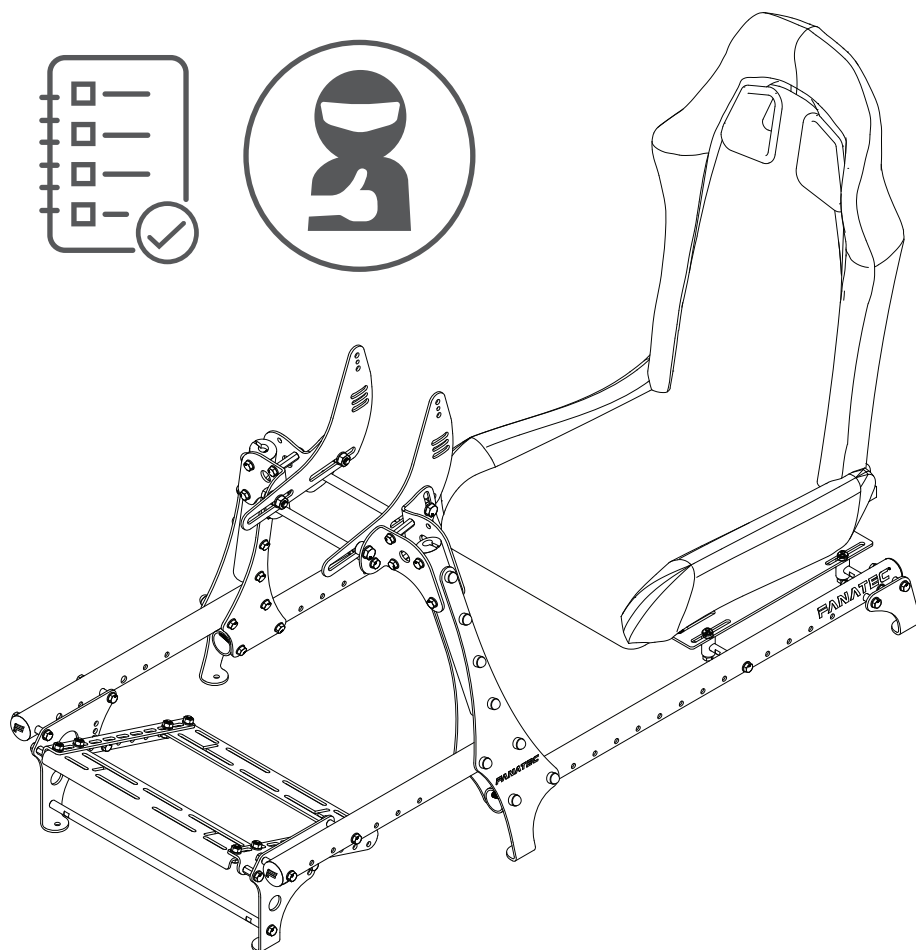
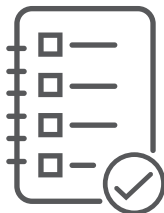


4x W7



4x M8 x 20 mm

4x M8 Washer

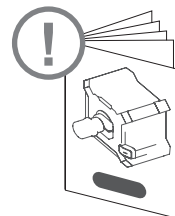


4x B6

4x W3

4x W7

1x T3



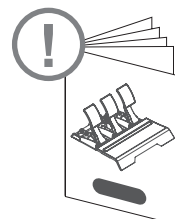
Fanatec.com/manuals

4x B7

8x W2

4x N2

1x T4



5x T2





FR Support technique; DE Unterstützung; ES Soporte técnico; IT Supporto tecnico; PT Suporte técnico



VIDEO  
MANUAL



Fanatec.com/QR/CSL-C



Fanatec.com/app



Fanatec.com/support/faq

- EN** The product warranty is provided by Endor AG. Refer to the included warranty sheet as well as the terms & conditions of Endor AG on fanatec.com.
- FR** Ce produit est sous la garantie d'Endor AG. Reportez-vous aux fiches de garantie incluses ainsi qu'aux conditions générales d'Endor AG sur fanatec.com.
- DE** Dieses Produkt unterliegt der Garantie der Endor AG. Beachten Sie die beiliegenden Garantieblätter sowie die Allgemeinen Geschäftsbedingungen der Endor AG auf fanatec.com.
- ES** Este producto está bajo garantía de Endor AG. Consulte las hojas de garantía incluidas, así como los términos y condiciones de Endor AG en fanatec.com.
- IT** Questo prodotto è coperto dalla garanzia di Endor AG. Fare riferimento ai fogli di garanzia inclusi nonché ai termini e condizioni di Endor AG su fanatec.com.
- PT** Este produto está sob garantia da Endor AG. Consulte as folhas de garantia incluídas, bem como os termos e condições da Endor AG em fanatec.com.



#### Importers:

Imported and distributed by Endor America LLC  
8200 Wilshire Blvd. Suite 200 - Beverly Hills CA 90211 - USA  
Telephone: +1 321-655-3524  
Email: [webshop@fanatec.com](mailto:webshop@fanatec.com)  
Website: [www.fanatec.com](http://www.fanatec.com) - [www.endor.ag](http://www.endor.ag)

Endor Australia Pty Ltd  
3 Staley Street, California Gully, Vic, 3556 - Australia  
Telephone: 661 453 979 40  
Email: [webshop@fanatec.com](mailto:webshop@fanatec.com)  
Website: [www.fanatec.com](http://www.fanatec.com) - [www.endor.ag](http://www.endor.ag)

Endor Japan Kabushikigaisya  
E5001 3-13-1, Harumi Cyuo-ku Tokyo-to  
Tokyo 104-0053 - Japan  
Telephone: 03-6717-2719  
Email: [webshop@fanatec.com](mailto:webshop@fanatec.com)  
Website: [www.fanatec.com](http://www.fanatec.com) - [www.endor.ag](http://www.endor.ag)

Manufactured and distributed by

**ENDOR**<sup>®</sup>

Fanatec<sup>®</sup> is a registered trademark of Endor AG  
Designed and developed by Endor AG in Germany

E.ON-Allee 3 - 84036 Landshut - Germany  
EU: 00800 0 FANATEC or +49 (871) 9221-122  
US/CANADA: 011 800 0 FANATEC or +49 (871) 9221-122  
AUSTRALIA: 00800 0 FANATEC or +49 (871) 9221-122  
JAPAN: +81 306 7172-719  
Email: [info.webshop@fanatec.com](mailto:info.webshop@fanatec.com)  
Website: [www.fanatec.com](http://www.fanatec.com) - [www.endor.ag](http://www.endor.ag)  
Made in China