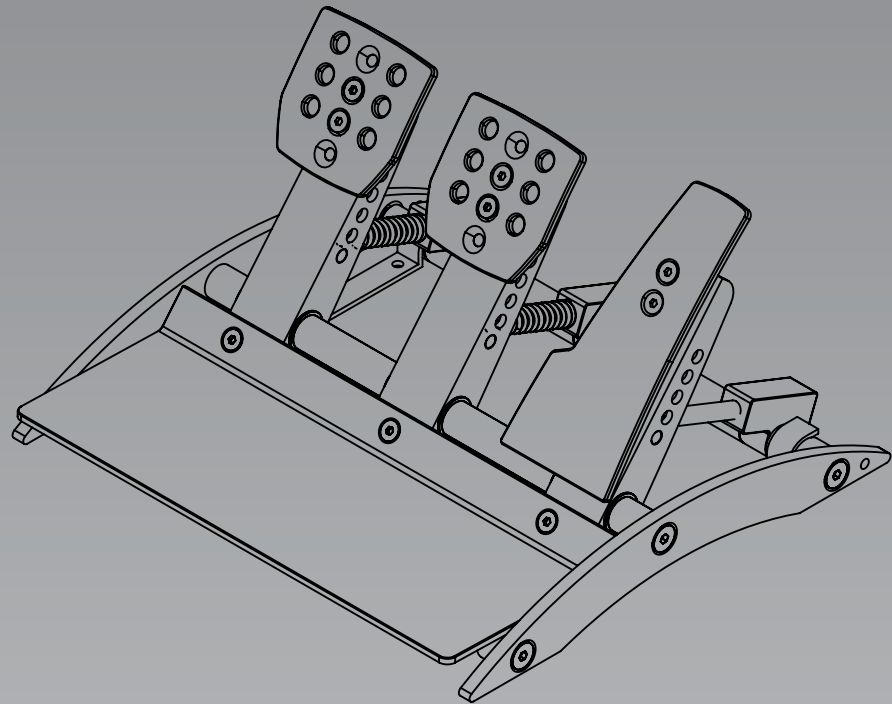
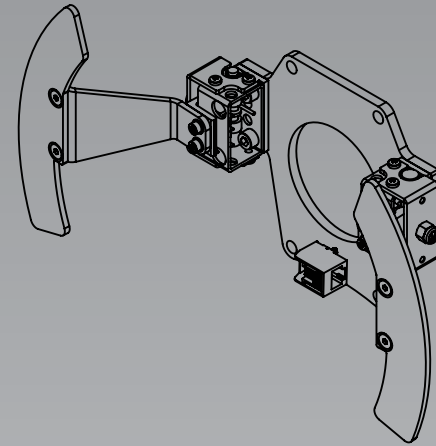


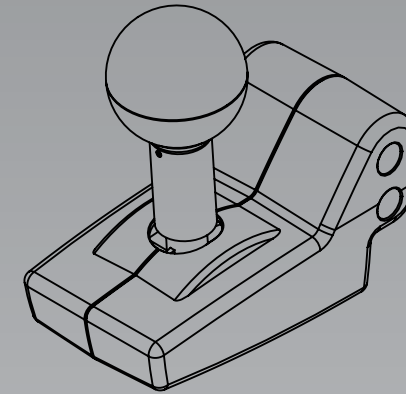
CONNECTING SHIFTERS & PEDALS



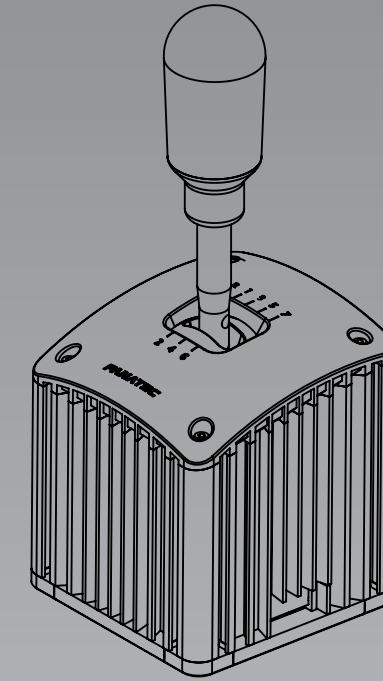
PEDALS



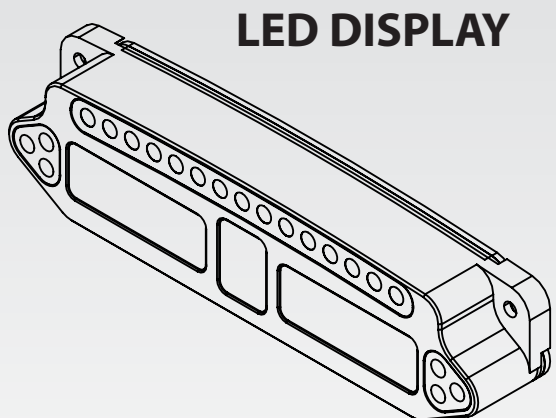
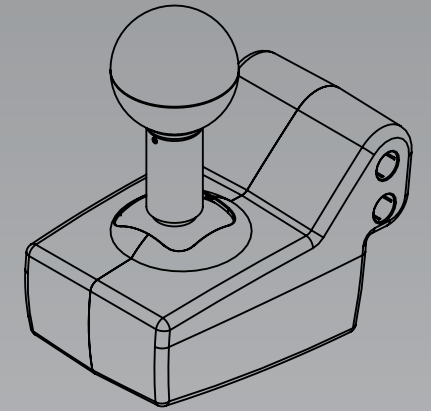
STATIC SHIFTER



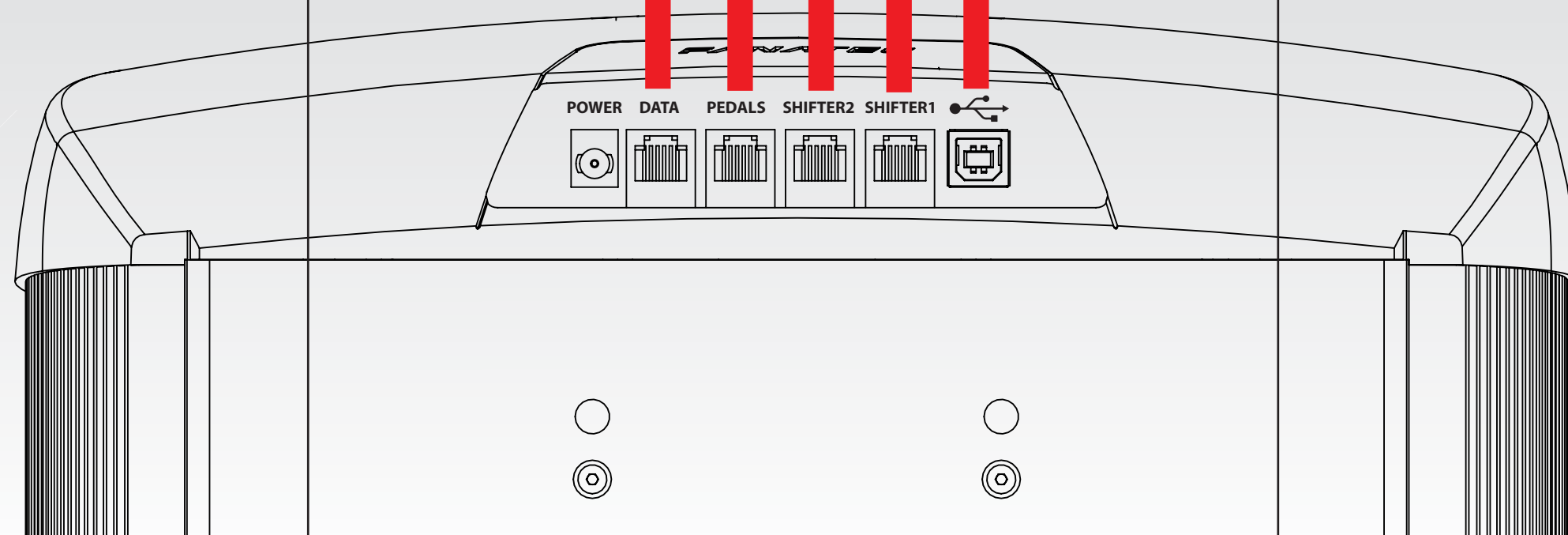
SEQUENTIAL SHIFTER



H-PATTERN SHIFTERS



LED DISPLAY

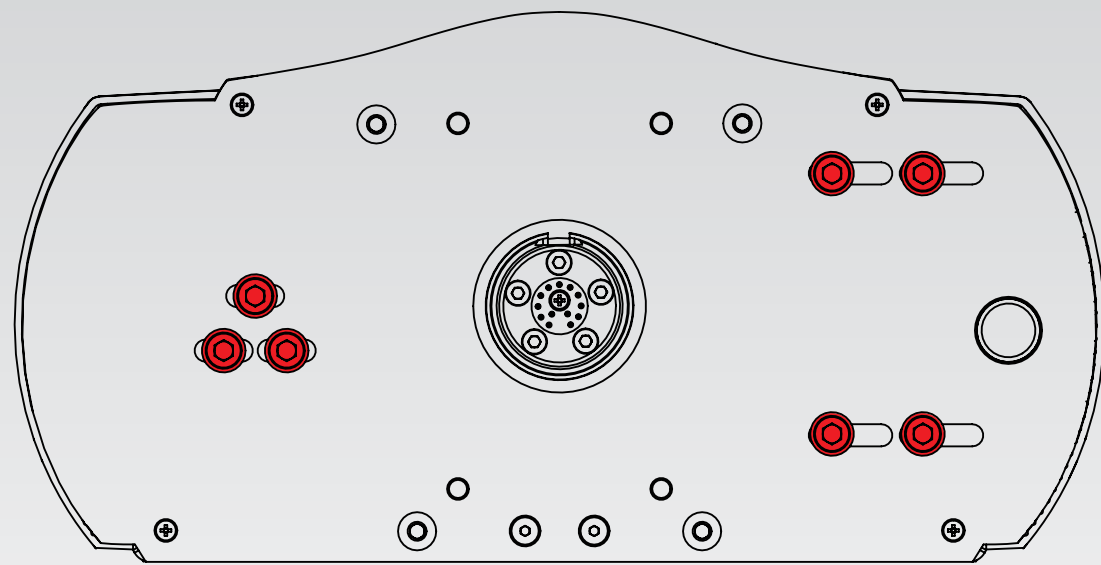


USB TO PC/PS3

IMPORTANT!
Use only the 90° USB plug coming with the wheel to avoid damage to the USB port.

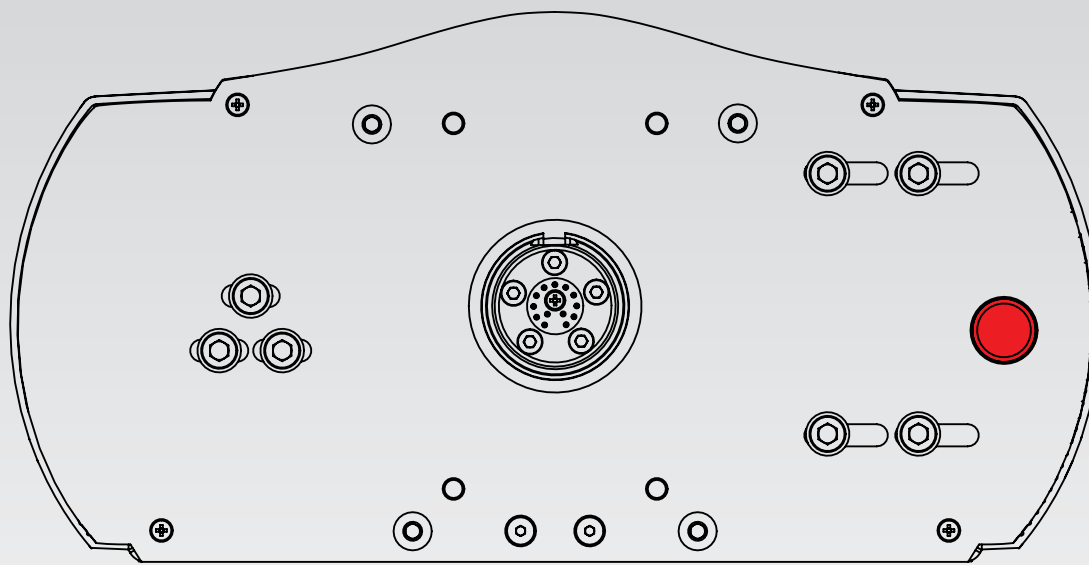
WARNING!

Do not open/loosen these screws.



TURN ON & OFF

To turn on the base, connect the it to power and press "START" button, on the right side of the ClubSport Base.
To turn off the base, press and hold "START" button for 5 seconds.



ClubSport

BASE



QuickGuide