

FANATEC®

CSL Steering Wheel P1 V2



EN Quick Guide
FR Guide De Démarrage Rapide
DE Kurzanleitung
ES Guía Rápida
IT Guida Rapida
PT Guia Rápido



Rev. 01

Video Manual

VIDEO MANUAL

Fanatec.com/QR/CSL-P1-V2

Driver Download

Fanatec.com/driver

Driver & Firmware Instruction Manual

Fanatec.com/df-manual-V1

Windows PC

PC Mode

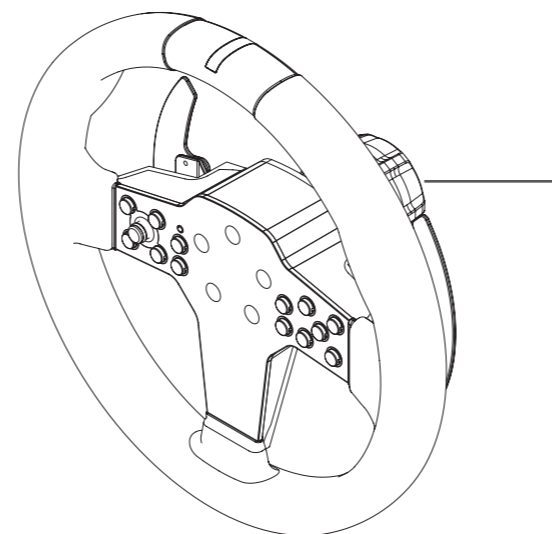
Update Firmware

H EN Modes - Page 5; DE Modi - Seite 5; FR Modes - Page 5
 ES Modos - Página 5; IT Modalità - Pagina 5; PT Modos - Página 5

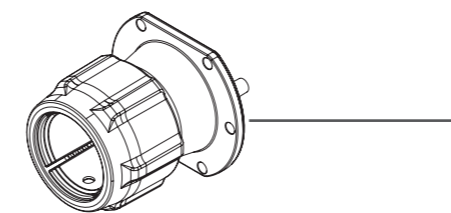
EN Translations - Page 8; DE Übersetzungen - Seite 8; FR Traductions - Page 8
 ES Traducciones - Página 8; IT Traduzioni - Pagina 8; PT Traduções - Página 8

1

A PACKAGE CONTENT



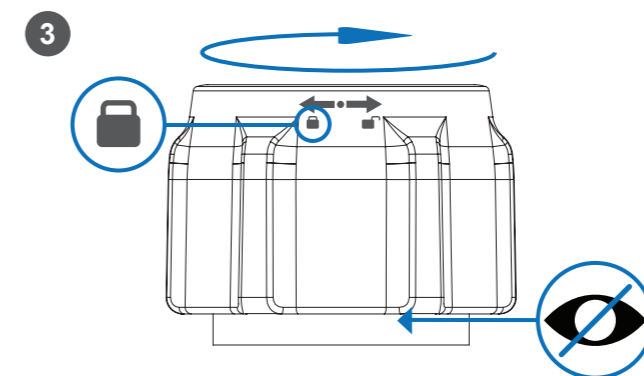
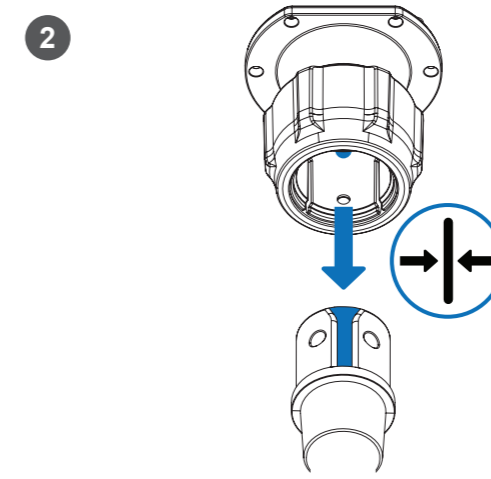
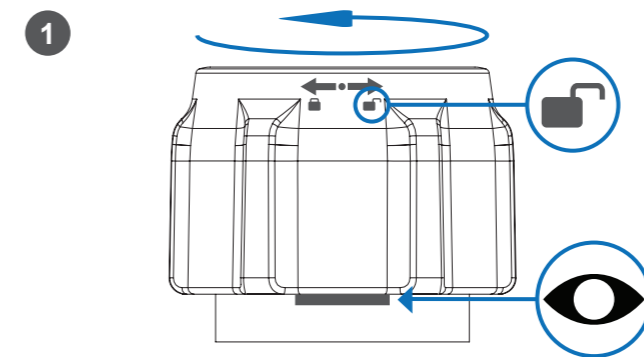
a 1x CSL Steering Wheel P1 V2



b 1x QR1 Lite Wheel-Side

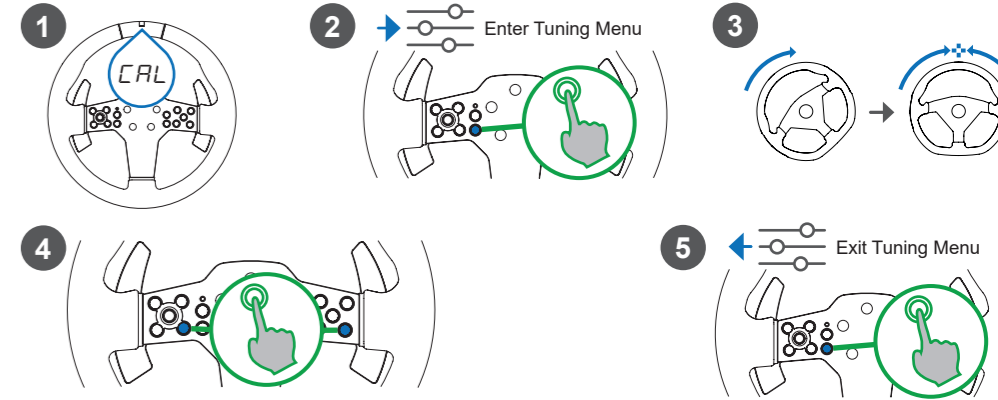
2

B STEERING WHEEL ATTACHMENT

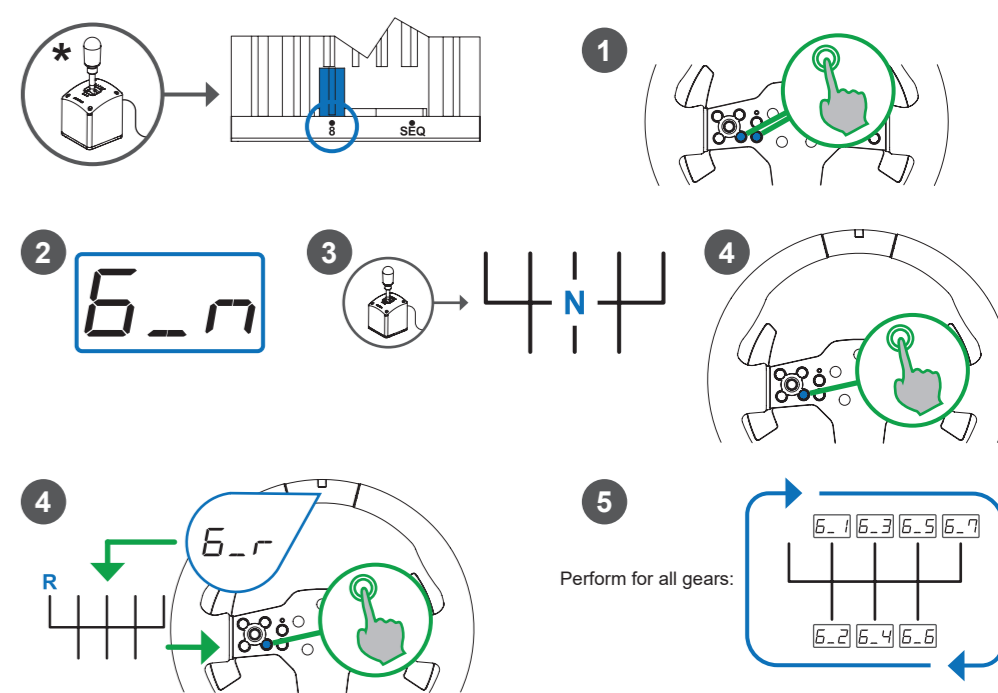


3

C CENTRE CALIBRATION



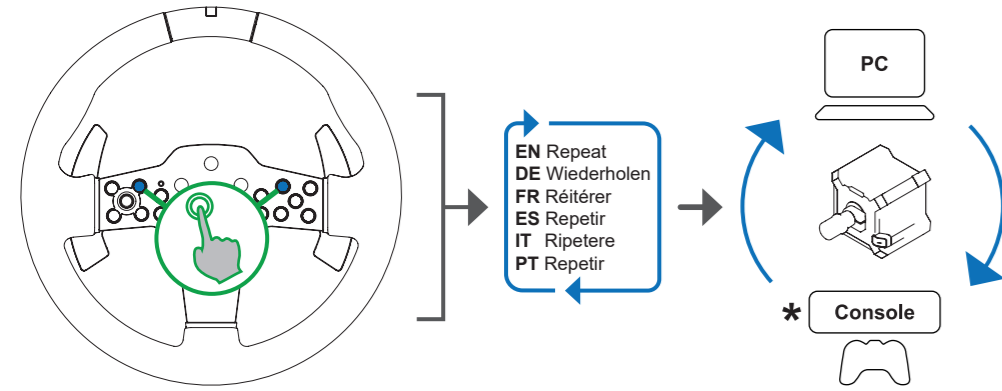
D SHIFTER CALIBRATION



* EN Sold separately; DE Separat erhältlich; FR Vendu séparément; ES Se vende por separado; IT Venduto separatamente; PT Vendido separadamente

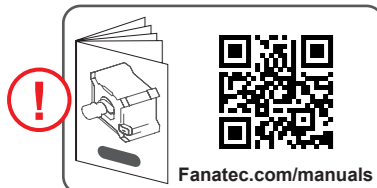
4

E MODES

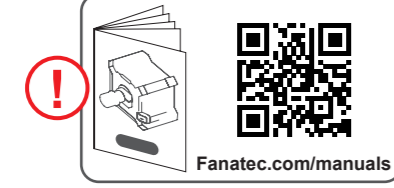
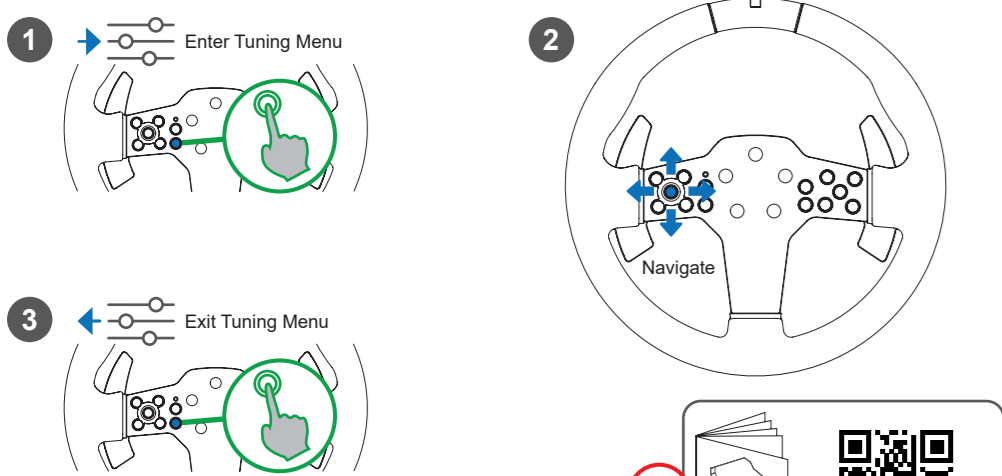


- EN Repeat
- DE Wiederholen
- FR Répéter
- ES Repetir
- IT Ripetere
- PT Repetir

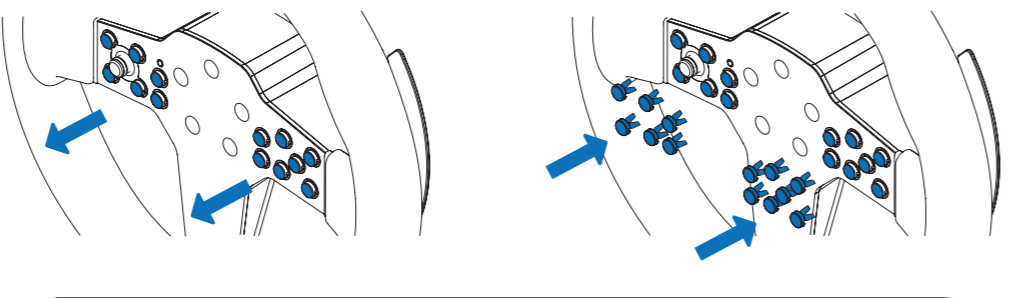
* EN Wheel Base Dependent
 DE Je Nach Wheel Base
 FR Dépendant de la base du volant
 ES Dependiente de la Base del Volante
 IT Dipendente dalla base del volante
 PT Dependente da base do volante



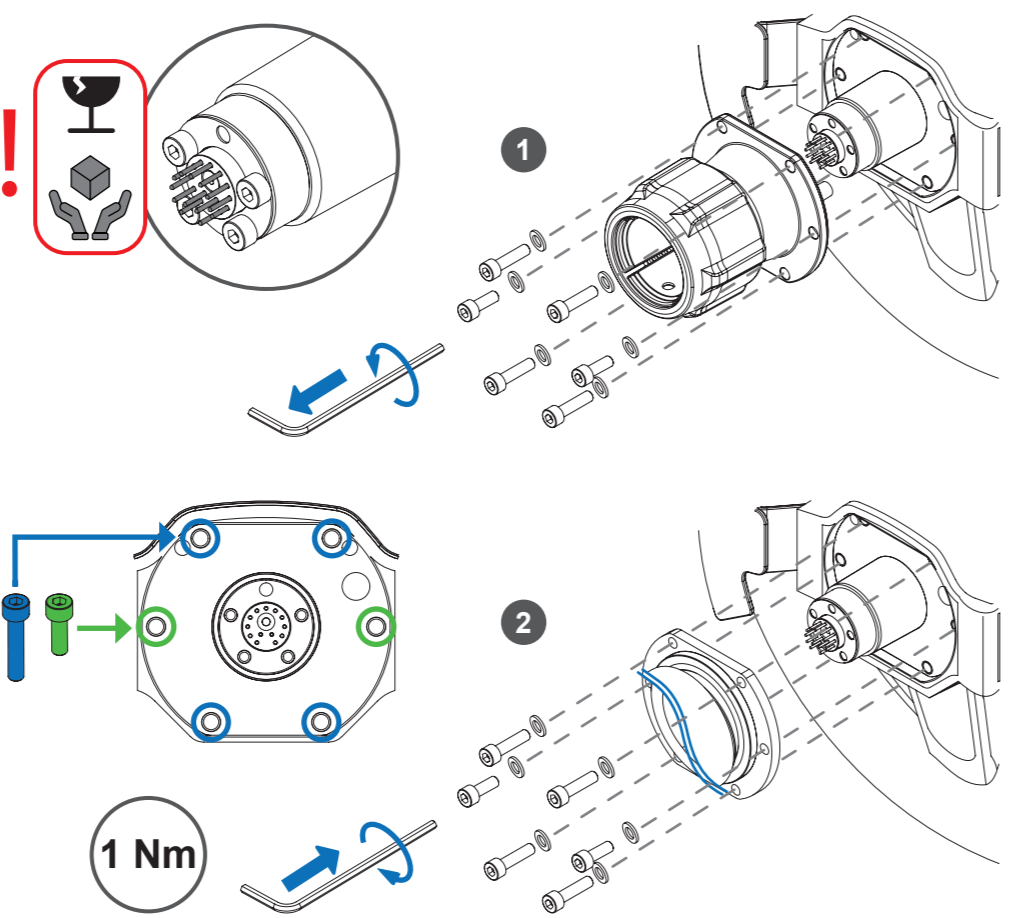
F TUNING OPTIONS



G BUTTON INSERTS



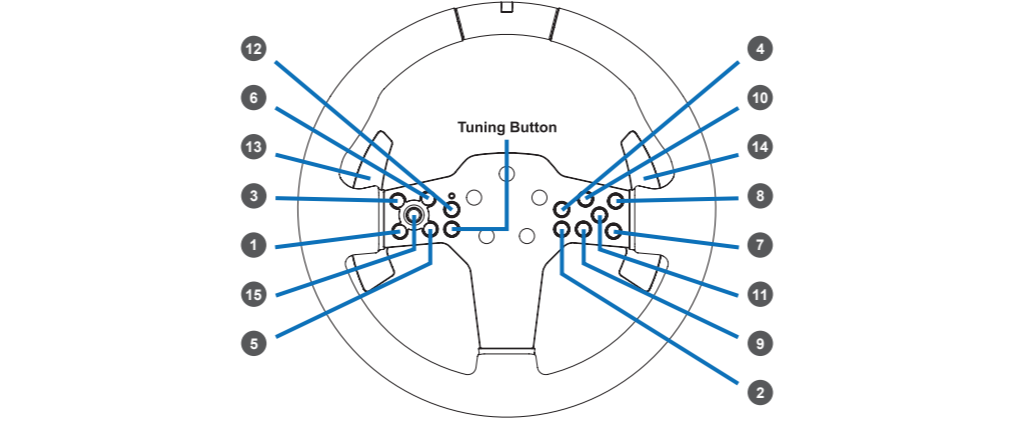
H QUICK RELEASE ATTACHMENT



I BUTTON MAPPING

| # | PC | PlayStation® | # | PC | PlayStation® |
|---|----|--------------|----|---------------|--------------|
| 1 | 8 | L2 | 9 | 1 | □ |
| 2 | 7 | R2 | 10 | 2 | △ |
| 3 | 12 | *GSB 1 | 11 | 27 | *GSB 3 |
| 4 | 11 | *GSB 2 | 12 | 22 | PS |
| 5 | 10 | ≡ | 13 | 6 | L1 |
| 6 | 9 | ↘/↙ | 14 | 5 | R1 |
| 7 | 2 | X | 15 | ↓, ↘, ↙, ↗, ● | 25 |
| 8 | 3 | O | | | *GSB 4 |

* GSB = Game-Specific Button



J SUPPORT

Fanatec.com/app

Fanatec.com/support/faq

Fanatec.com/QR/CSL-P1-V2

A

- A** DE Lieferumfang; FR Contenu de l'emballage; ES Contenido del embalaje; IT Contenuto della confezione; PT Conteúdo da embalagem
- B** DE Lenkradbefestigung; FR Montage du volant; ES Montaje del volante; IT Attacco del volante; PT Fixação do volante
- C** DE Kalibrierung der mittelstellung; FR Calibrage du centre de volant; ES Centrado del volante; IT Calibrazione del centro del volante; PT Calibração do centro
- D** DE Kalibrierung des schaltbel; FR Calibrage du levier de vitesse; ES Calibración de la palanca de cambios; IT Calibrazione del cambio; PT Calibragem de mudanças
- E** DE Für alle Gänge durchführen; FR Performer pour tous les rapports; ES Ejecutar para todas las velocidades; IT Eseguì per tutte le marce; PT Executar para todas as engrenagens
- F** DE Einstellungsoptionen; FR Options de réglage; ES Opciones de configuración; IT Opzioni di sintonizzazione; PT Opções de afinação
- G** DE Knopfensätze; FR Inserts de boutons; ES Insertos de botones; IT Innesto dei bottoni; PT Inserções de botões
- H** DE Quick Release Montage; FR Montage du Quick Release; ES Montaje de Quick Release; IT Montagem Quick Release; PT Montagem de Quick Release
- I** DE Tastenbelegung; FR Mappage des boutons; ES Asignación de botones; IT Mappatura dei pulsanti; PT Mapeamento de botões
- J** DE Unterstützung; FR Support technique; ES Soporte técnico; IT Supporto tecnico; PT Suporte técnico



Contact | 30 414141414
 Endor AG
 E.ON-Allee 3 - 84036 Landshut - Germany
 Telephone | Telefon: +49 (871) 9221-122
 Email | Eneerponna noua: info.webshop@fanatec.com

This product meets the requirements of the Technical Regulations which limit the use of certain hazardous substances in electrical and electronic equipment.
 Este produto atende aos requisitos da Diretiva RoHS (Diretiva 2011/65 / EC)

This device complies with part 15 of the FCC rules. The operation of this device is subject to the following two conditions:

- This device may not cause harmful interference, and must accept any interference received, including interference that may cause undesired operation.
- This device was not modified differently than described explicitly in this user manual.

NOTE: This device was tested and approved to the limitations for class B of digital devices according to part 15 of the FCC rules. This limitation should ensure an adequate protection against harmful interferences in residential areas. However, a warranty for the non-recurring of interferences is not assumed.

Do not modify the device differently than explicitly described in the product-related user manual. Nevertheless, if you do modify the device differently than explicitly described in the product-related manual, you can be determined to stop the operation of the device.

Imported and distributed by Endor America LLC
 8200 Wilshire Blvd. Suite 200 - Beverly Hills CA 90211 - USA
 US/CAN: +1 321-655-3524
 Email: info.webshop@fanatec.com
 Website: www.fanatec.com - www.endor.ag

China RoHS 2

Order No. 32, effective July 1, 2016, titled Management Methods for the Restriction of the Use of Hazardous Substances in Electrical and Electronic Products. To comply with China RoHS 2, we determined this product's Environmental Protection Use Period (EUP) to be 10 years in accordance with the Marking for the Restricted Use of Hazardous Substances in Electronic and Electrical Products, SJ/T 11364-2014.

中国 RoHS 2 是指 2016 年 7 月 1 日起施行的工业和信息化部第 32 号“电力电子产品限制使用有害物质管理办法”。为了符合中国 RoHS 2 的要求，我们将根据“电力电子产品有害物质限制使用标识”(SJ/T 11364-2014) 确定本产品的环保使用期 (EUP) 为 10 年。

| Part Name | Hazardous Substances | | | | | |
|-------------------------------------|----------------------|----|----|------|-----|------|
| | Pb | Hg | Cd | Cr6+ | PBB | PBDE |
| 电缆线/电源 (Cable/Adaptor) | o | o | o | o | o | o |
| 塑料 (Plastic) | o | o | o | o | o | o |
| 金属部件 (Metal parts) | x | o | o | o | o | o |
| 其它所有组件 (Other enclosure components) | o | o | o | o | o | o |
| 电路板组件 (PCBA) | o | o | o | o | o | o |

本表格依据 SJ/T 11364 的规定编制。
 This table is prepared in accordance with the provisions of SJ/T 11364-2014
 o: 表示该有害物质在该部件所有均质材料中的含量均符合 GB/T 26572 规定的限量要求以下。
 o: Indicates that the hazardous substance contained in all of the homogeneous materials for this part is below the limit requirement of GB/T 26572.
 x: 表示该有害物质至少在该部件的某一均质材料中的含量超出 GB/T 26572 规定的限量要求。
 x: Indicates that the hazardous substance contained in at least one of the homogeneous materials used for this part is above the limit requirement of GB/T 26572.