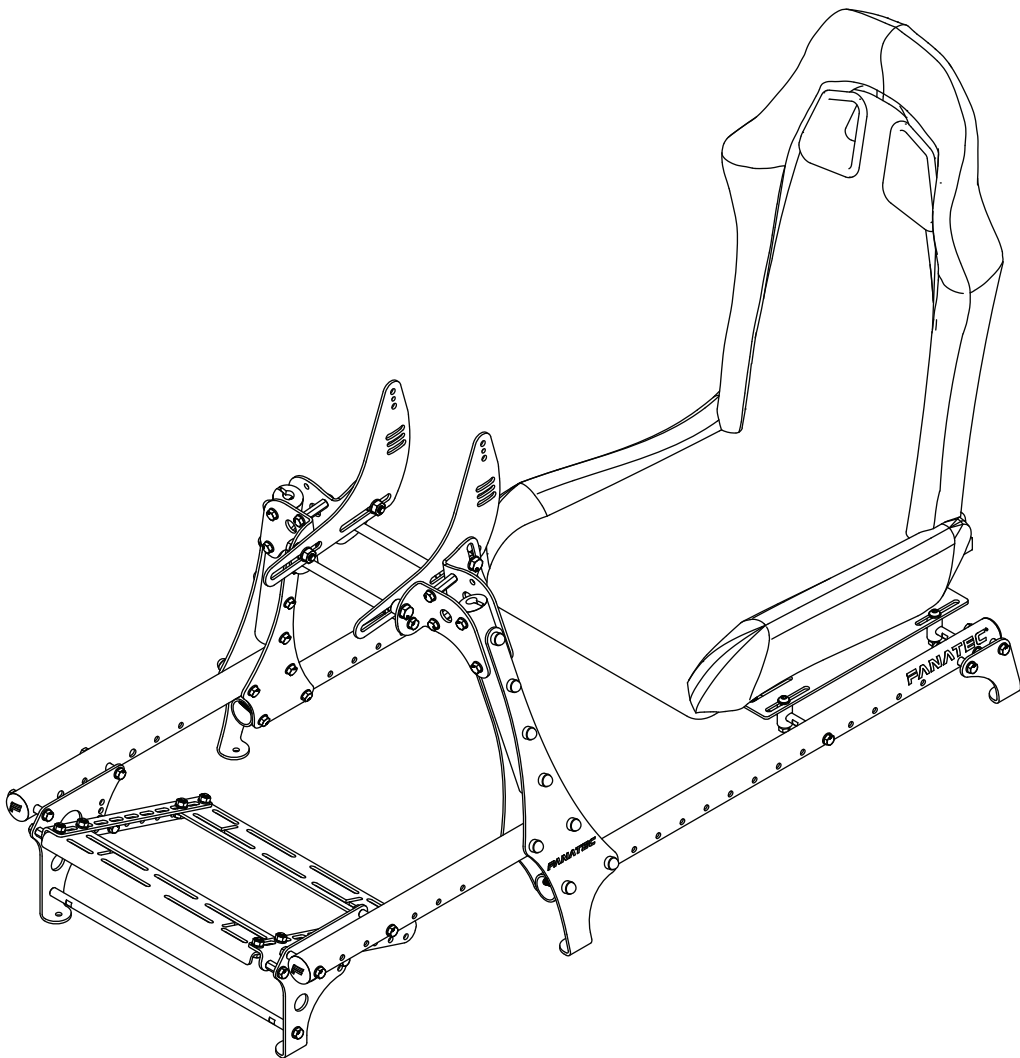


FANATEC®

CSL COCKPIT

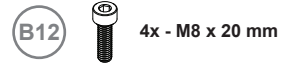
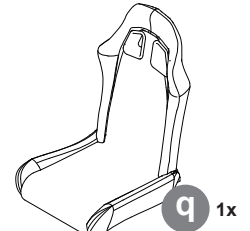
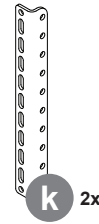
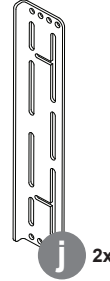
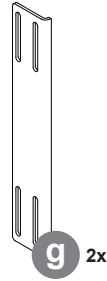
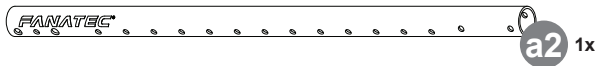
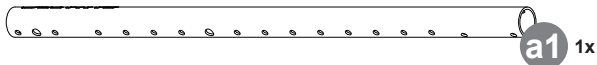




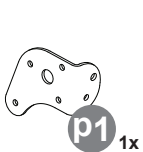
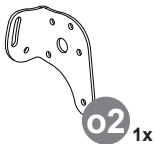
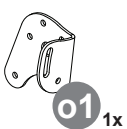
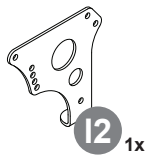
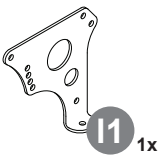
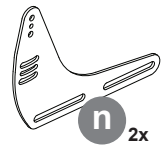
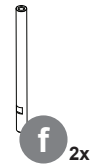
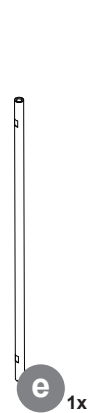
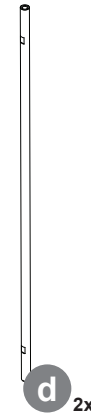
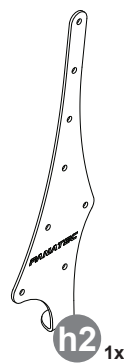
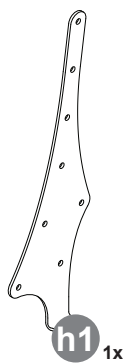
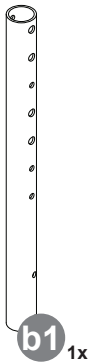
FR Contenu de l'emballage; DE Lieferumfang; ES Contenido del embalaje; IT Contenuto della confezione; PT Conteúdo da embalagem

1

2



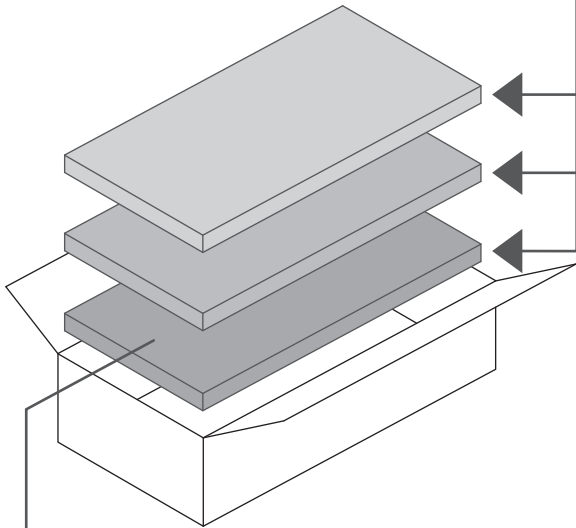
EN Sold separately
FR Vendu séparément
DE Separat erhältlich
ES Se vende por separado
IT Venduto separatamente
PT Vendido separadamente



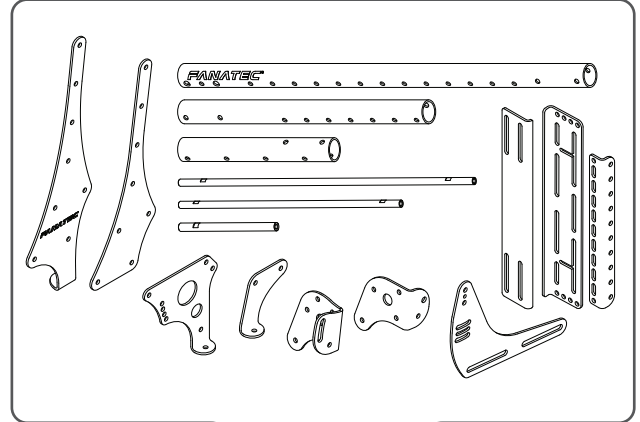
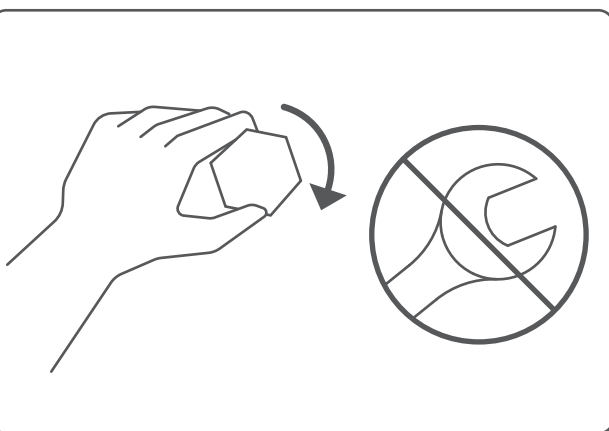
- | | | | | | | | | |
|-----|--|---------------------|----|--|---------------------|----|--|------------------|
| B1 | | 4x - M10 x 35 mm | B2 | | 20x - M8 x 60 mm | B3 | | 8x - M8 x 20 mm |
| B4 | | 46x - M8 x 14 mm | B6 | | 4x - M6 x 16 mm | B7 | | 4x - M8 x 25 mm |
| W1 | | 8x - M10 Washer | W2 | | 110x - M8 Washer | W3 | | 4x - M6 Washer |
| W4 | | 4x - M8 Washer | N1 | | 4x - M10 Nut | N2 | | 32x - M8 Nut |
| P1 | | 4x - M10 Spacer | P2 | | 4x - M8 Cyl. Nut | P3 | | 8x - M8 Rod |
| P4 | | 4x - M8 Hex Nut | P5 | | 4x - M8 Hex Nut | P6 | | 16x - 13 mm Caps |
| P7 | | 6x - Rubber Pads | P8 | | 6x - Felt Pads | P9 | | 4x - Tube Caps |
| P10 | | 4x - Cable Caps | T1 | | 2x - 13 mm
16 mm | T3 | | 1x - 5 mm |
| B11 | | 4x - M8 x 14 mm | T2 | | 5x - Velcro Strip | T4 | | 1x - 6 mm |
| W7 | | 4x - M8 3 mm Washer | | | | | | |

B**GETTING STARTED**

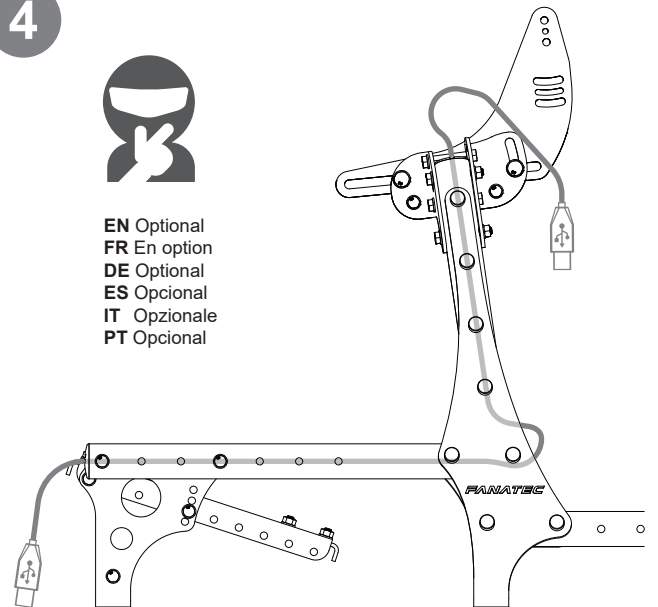
FR Pour commencer; DE Erste Schritte; ES Cómo comenzar; IT Come iniziare; PT Começando

1**3x**

i 2x **n** 2x

2**3****1****14****4**

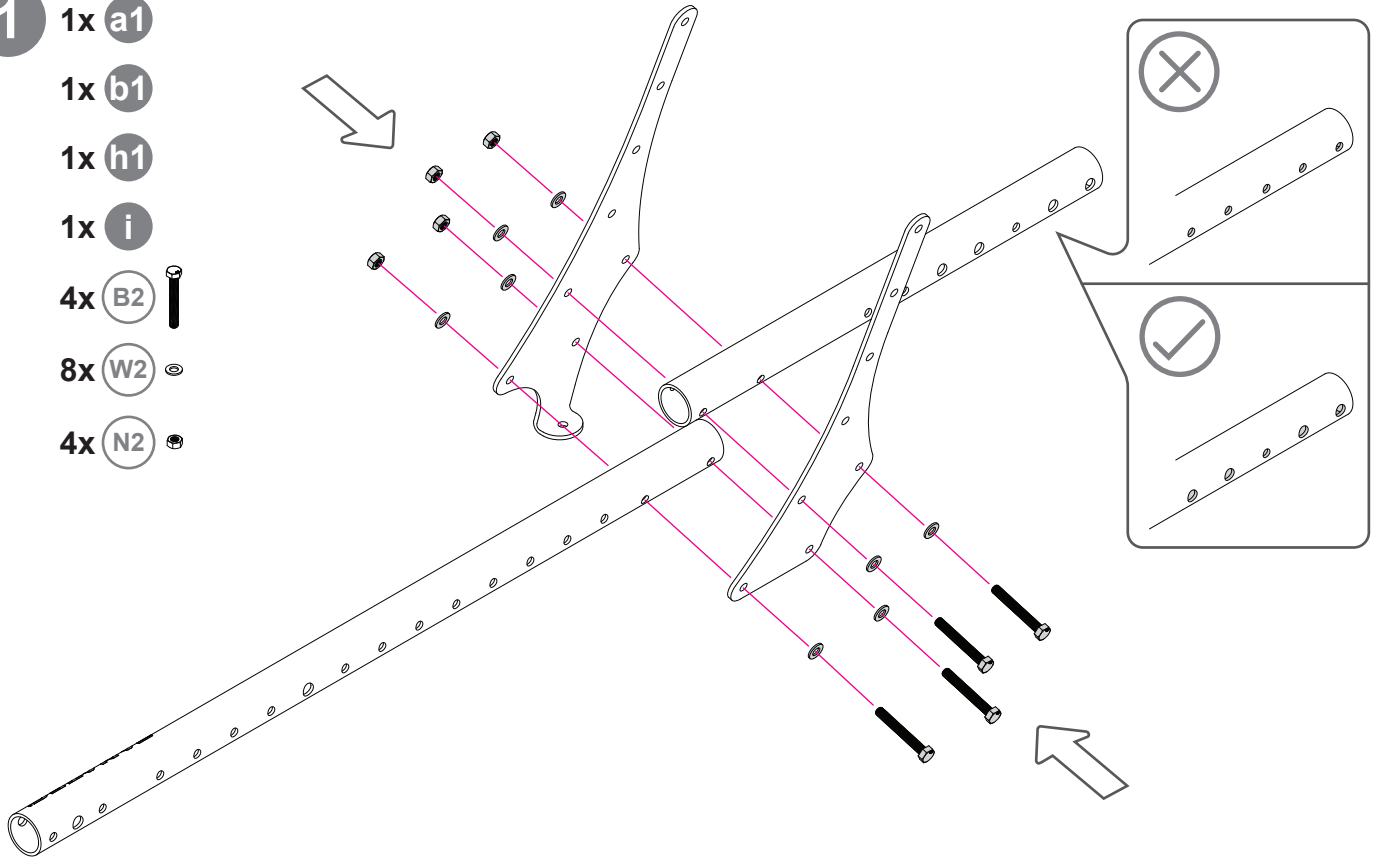
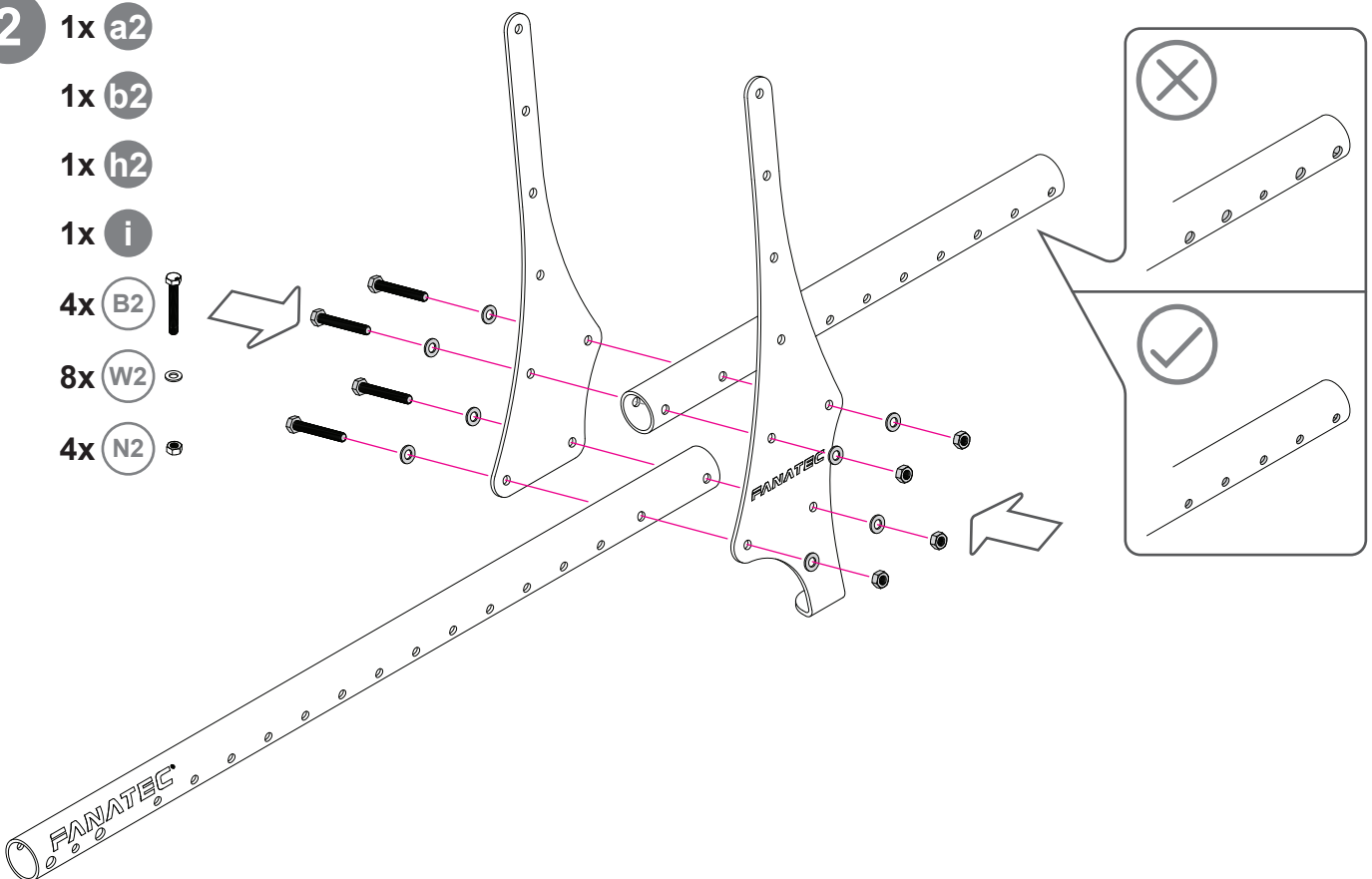
EN Optional
FR En option
DE Optional
ES Opcional
IT Opzionale
PT Opcional



Fanatec.com/QR/CSL-C-Cable-Routing

C**COCKPIT ASSEMBLY**

FR Assemblage du cockpit; DE Zusammenbau des Cockpit; ES Montaje del cockpit; IT Montaggio del cockpit; PT Montagem da cockpit

1 1x **a1**1x **b1**1x **h1**1x **i**4x **B2** 8x **W2** 4x **N2** **2** 1x **a2**1x **b2**1x **h2**1x **i**4x **B2** 8x **W2** 4x **N2** 

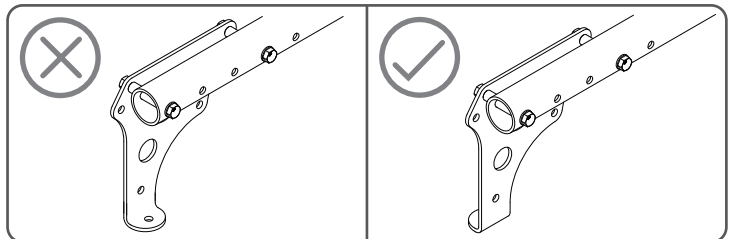
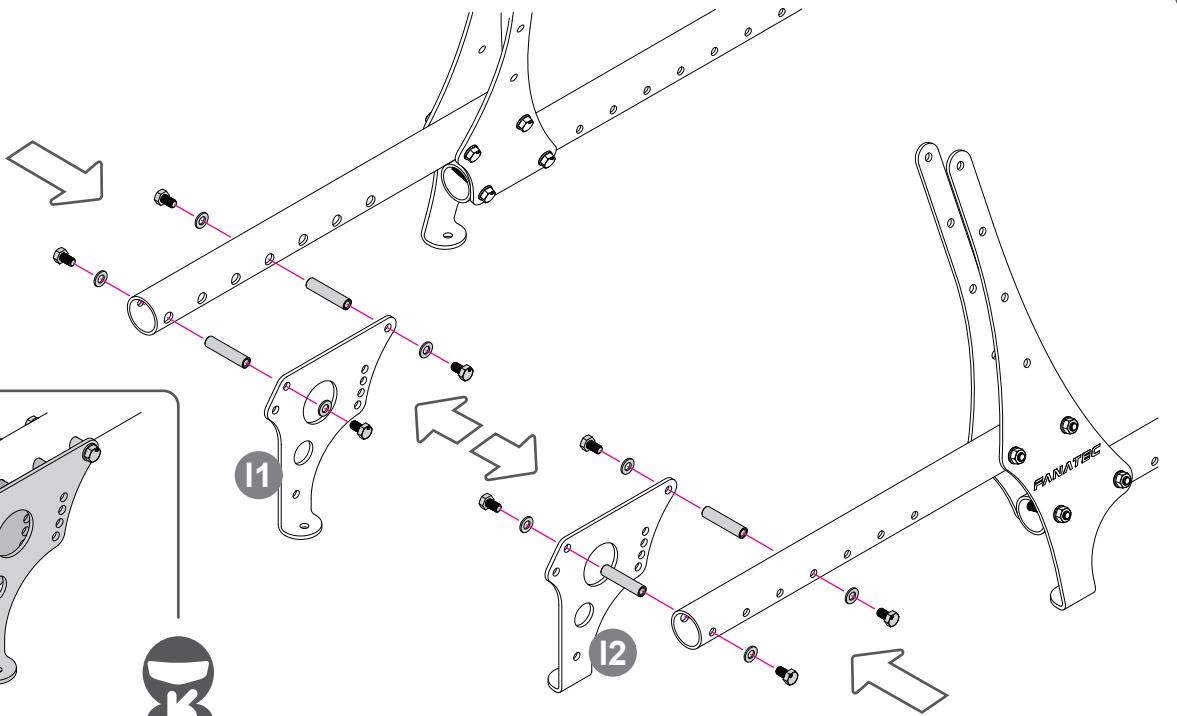
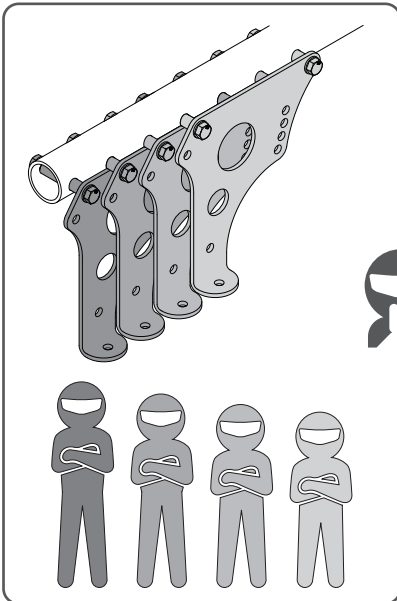
3 1x I1

1x I2

8x B4

8x W2

4x P3

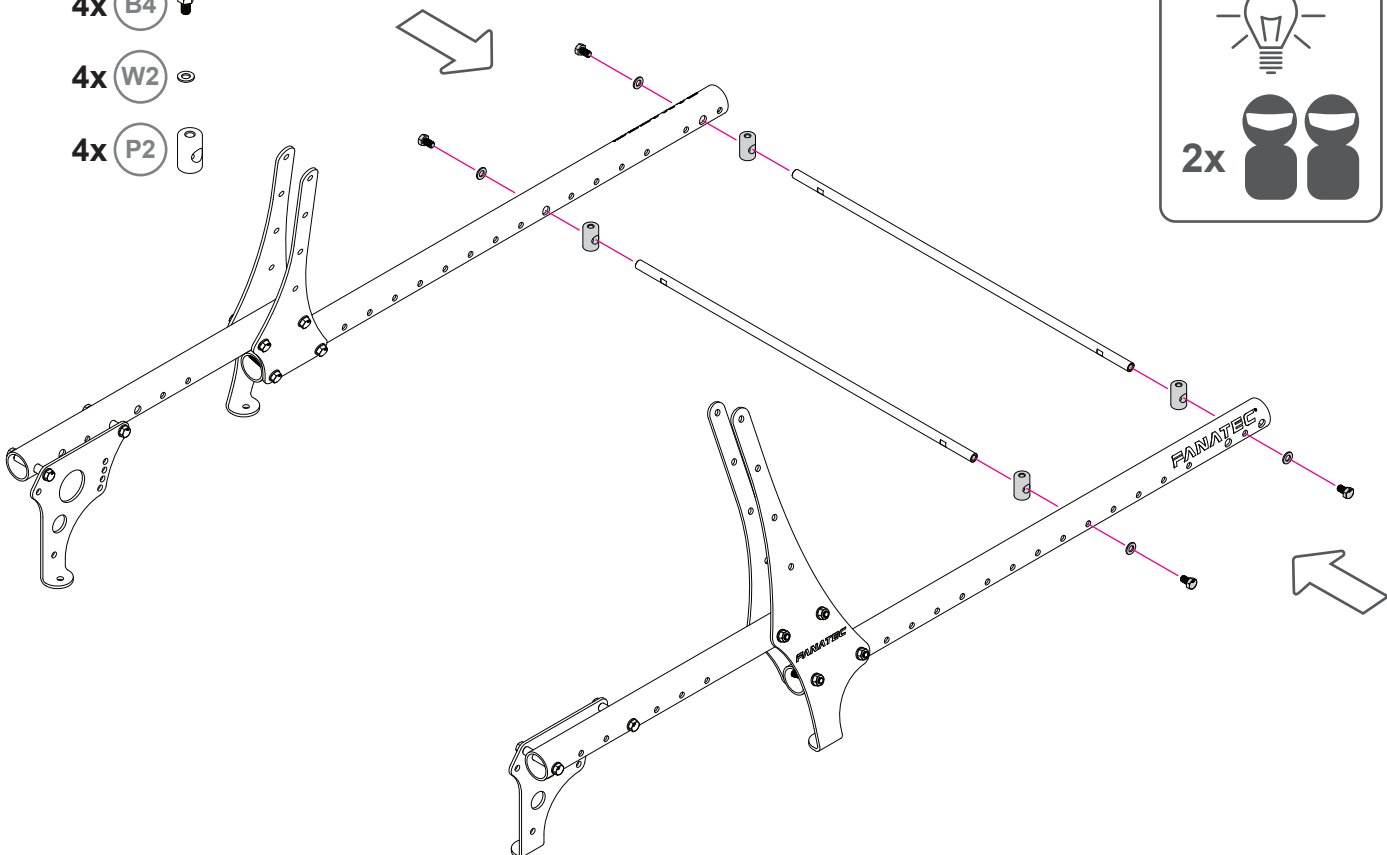
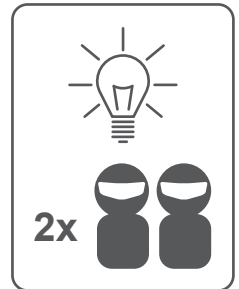


4 2x d

4x B4

4x W2

4x P2



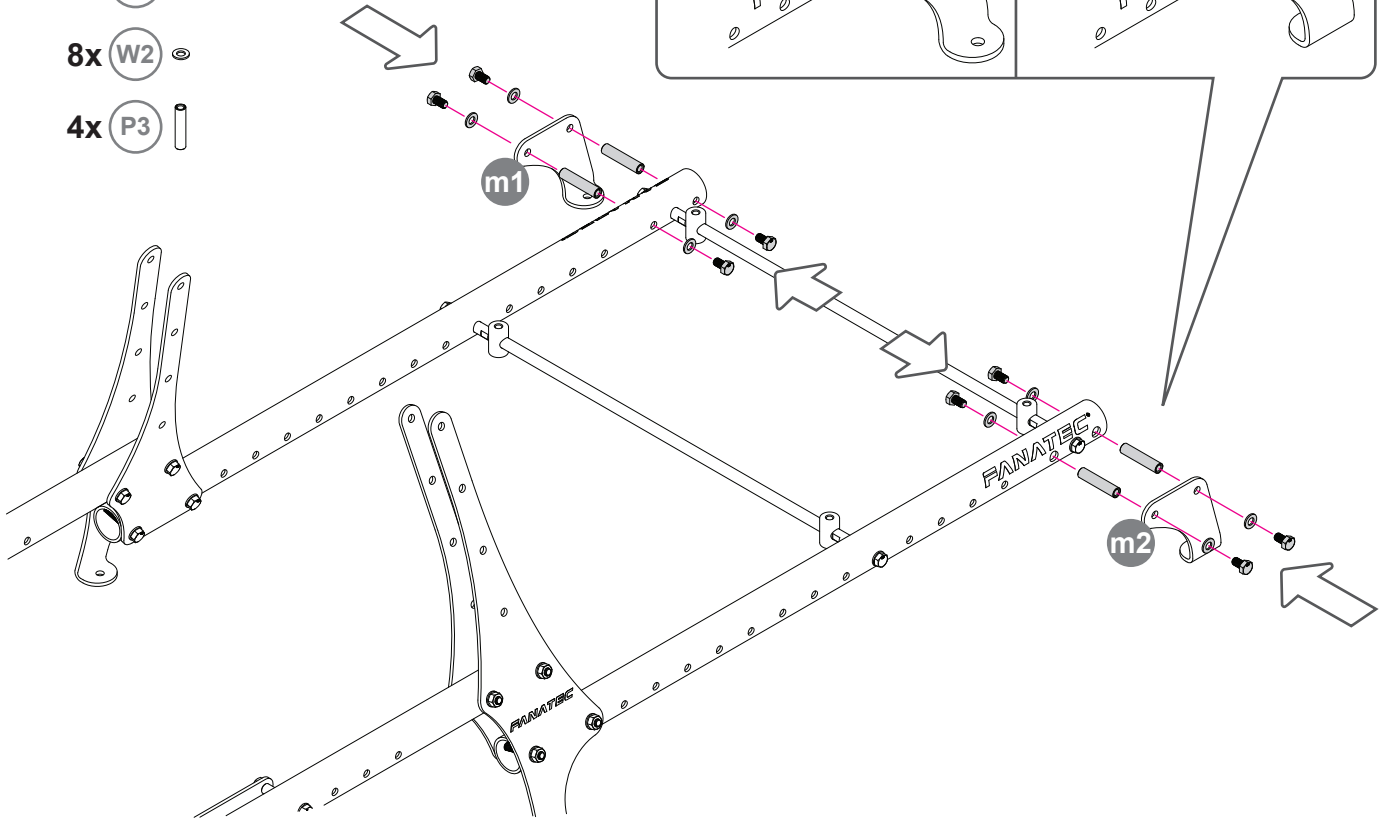
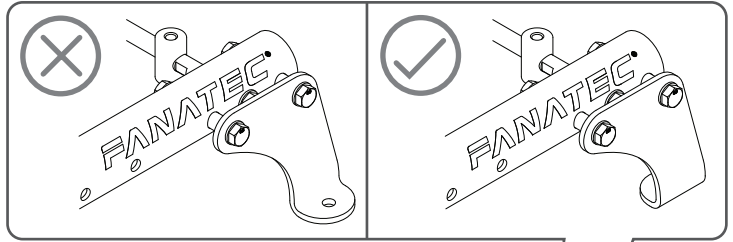
5 1x m1

1x m2

8x B4

8x W2

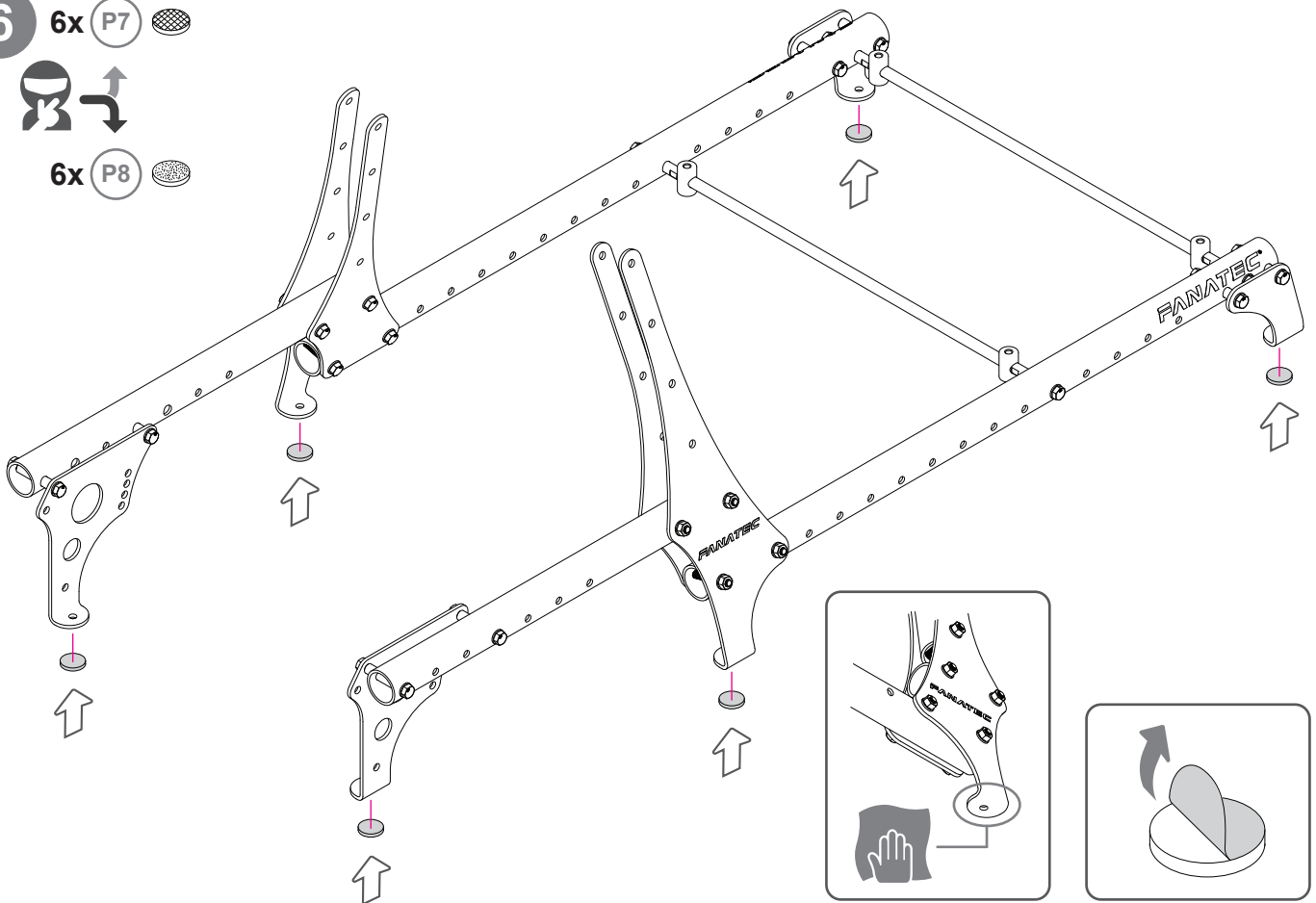
4x P3



6 6x P7

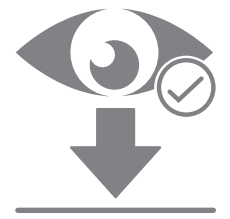
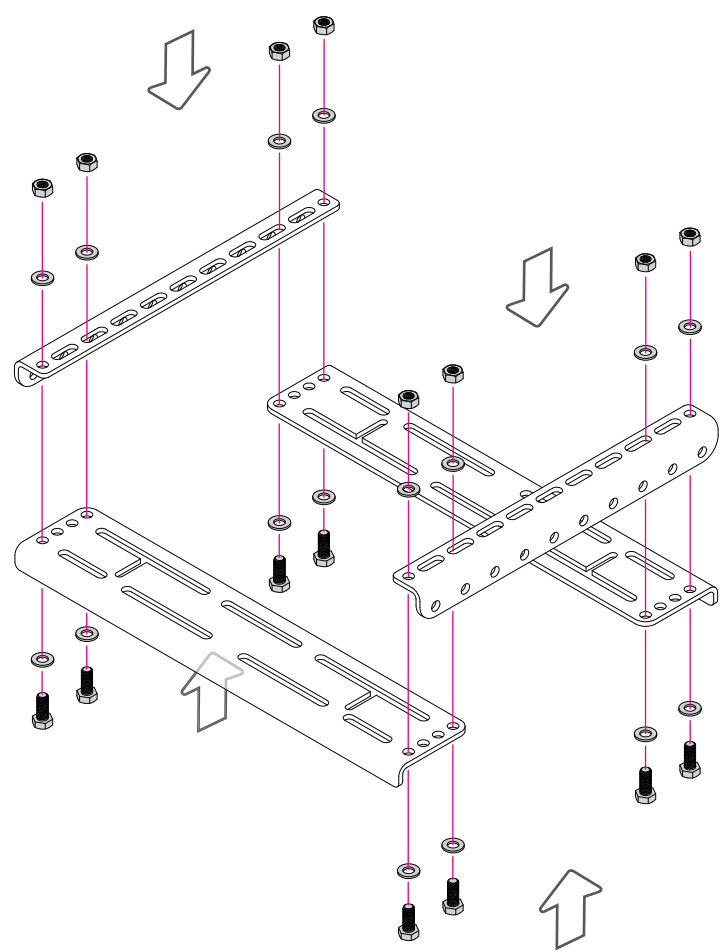


6x P8



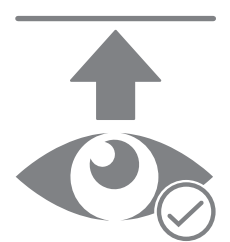
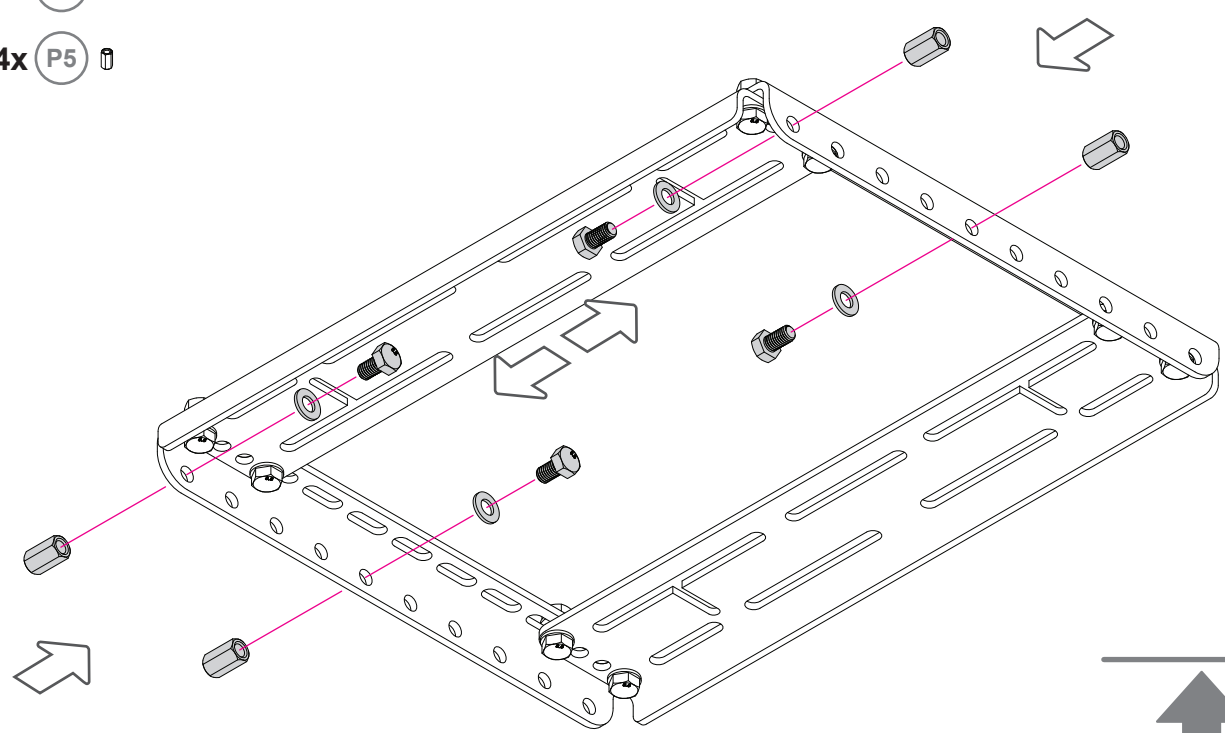
7

- 2x **j**
- 2x **k**
- 8x **B3**
- 16x **W2**
- 8x **N2**



8

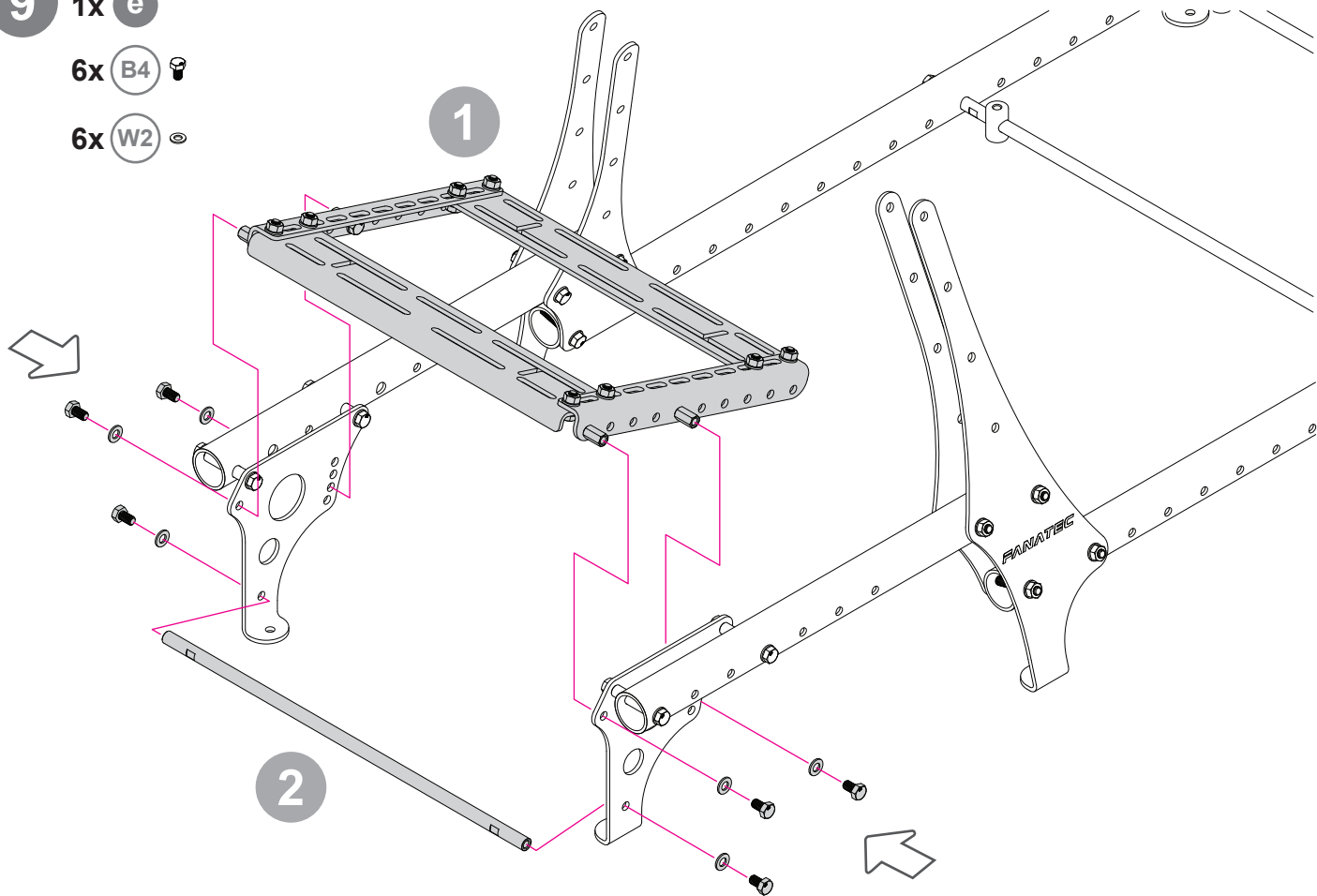
- 4x **B4**
- 4x **W2**
- 4x **P5**



9 1x e

6x B4

6x W2

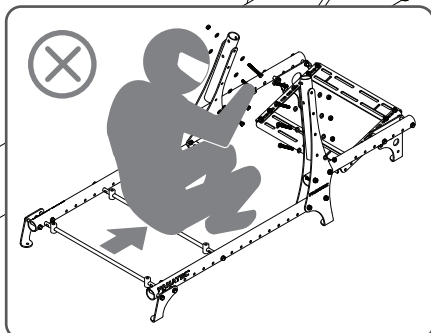
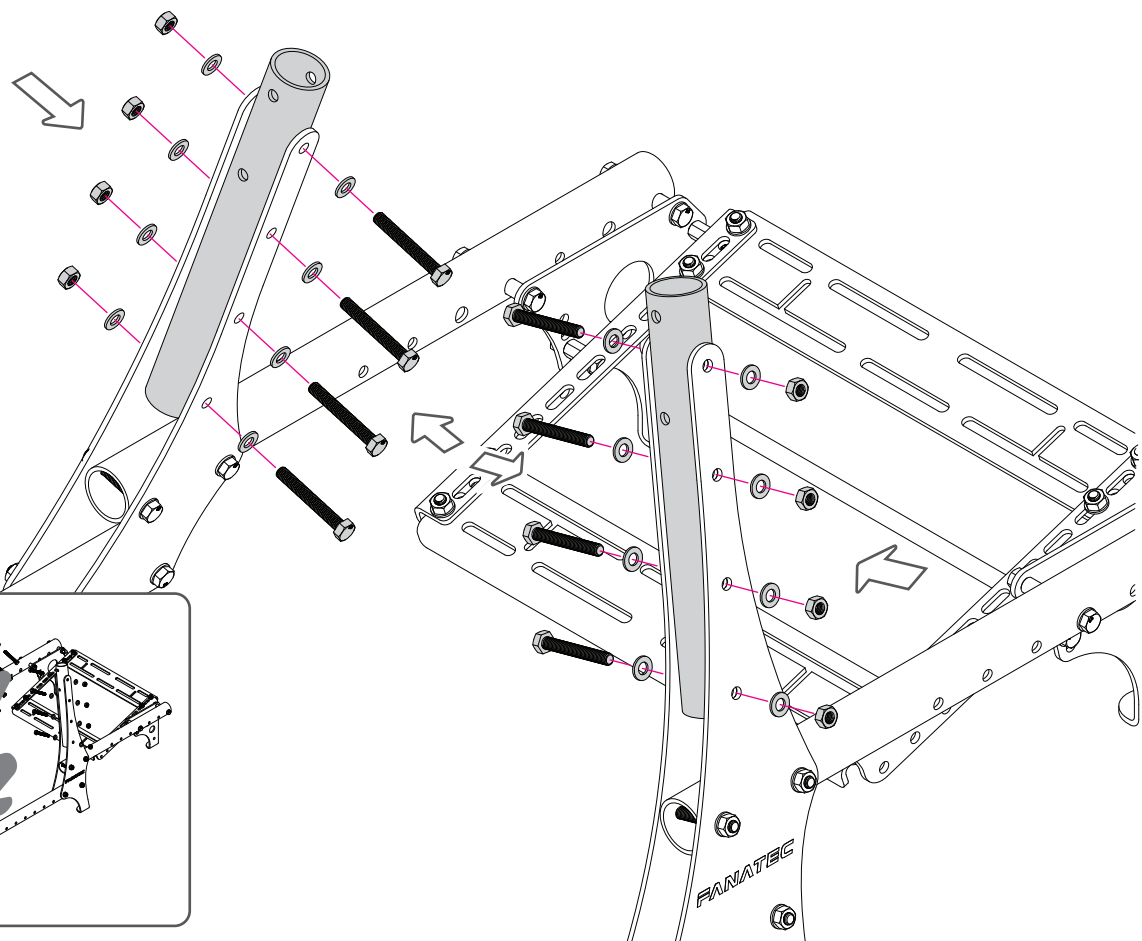


10 2x c

8x B2

16x W2

8x N2



11

1x o1

1x o2

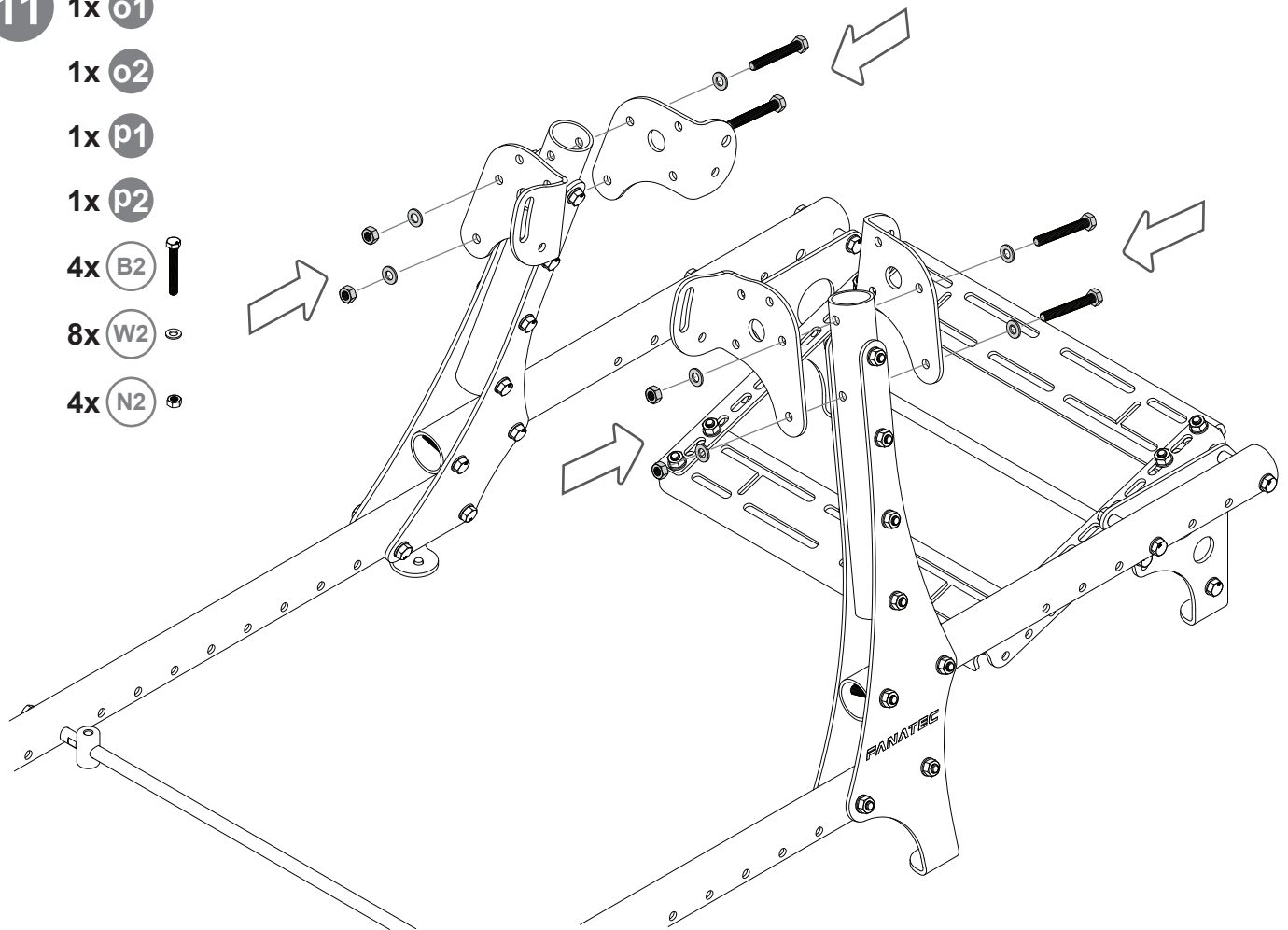
1x p1

1x p2

4x B2

8x W2

4x N2

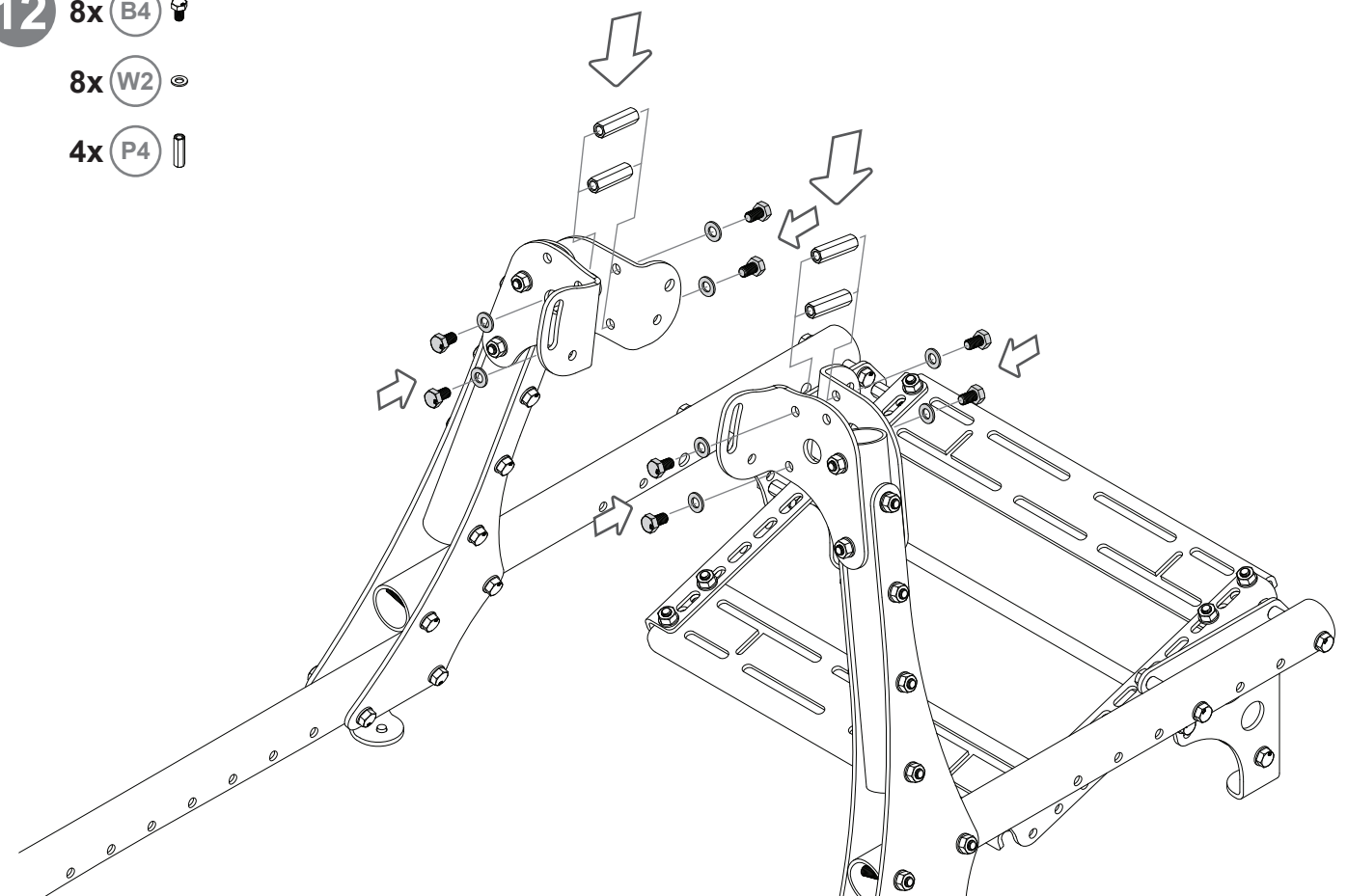


12

8x B4

8x W2

4x P4

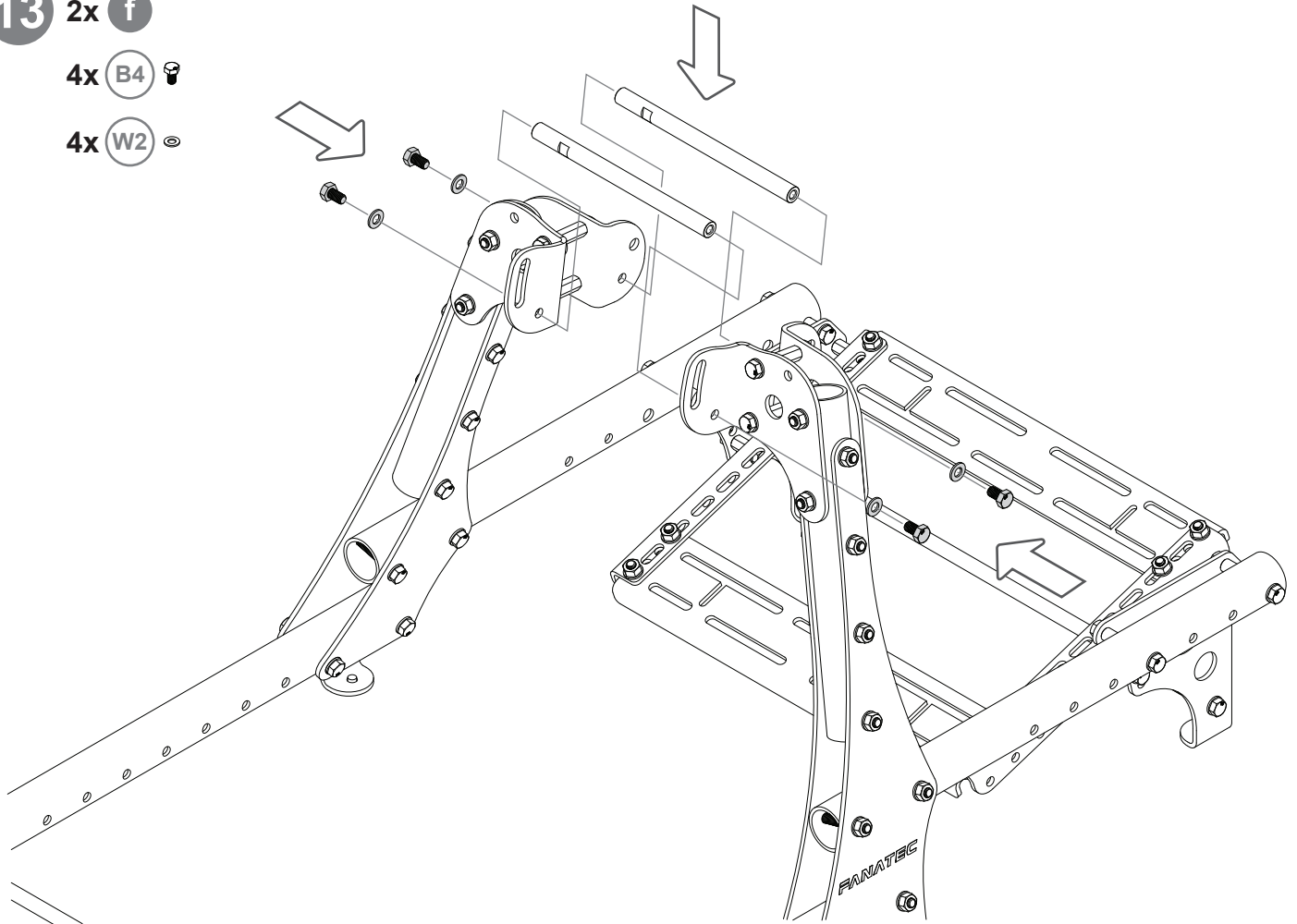


13

2x f

4x B4

4x W2



14

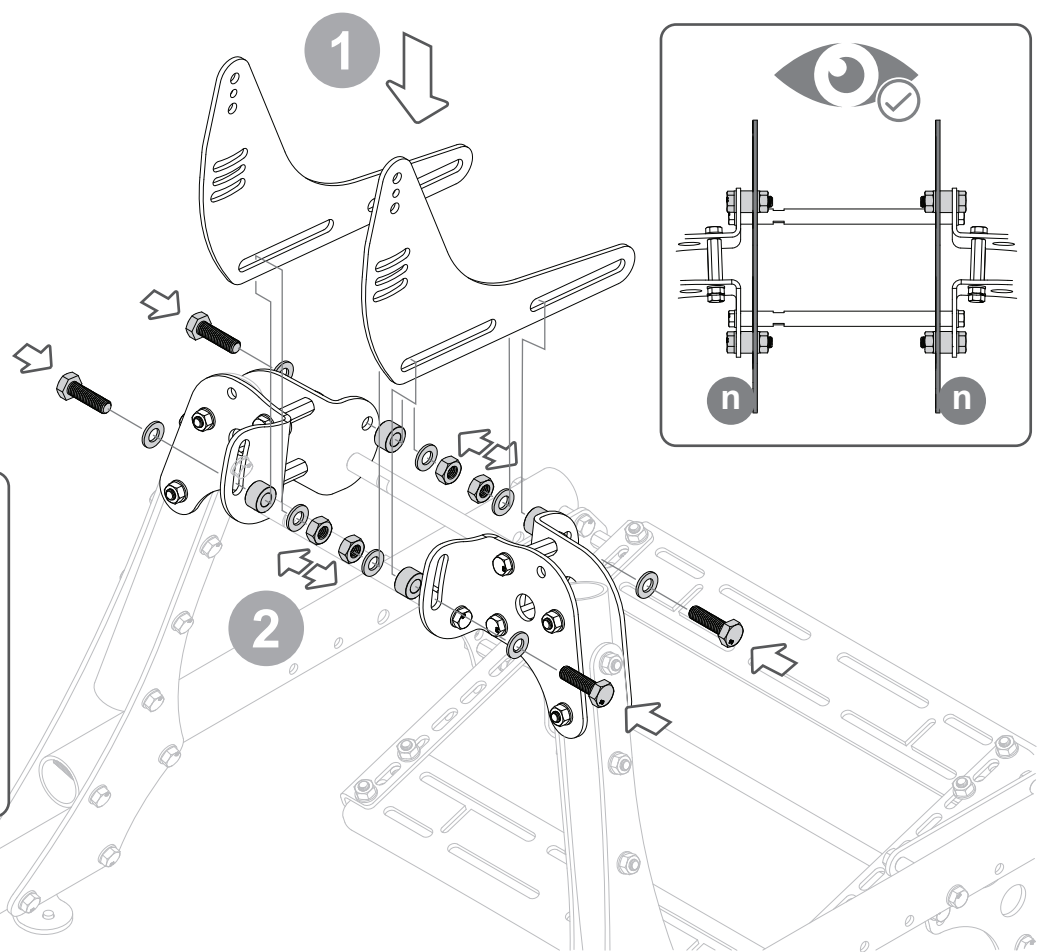
2x n

4x B1

8x W1

4x N1

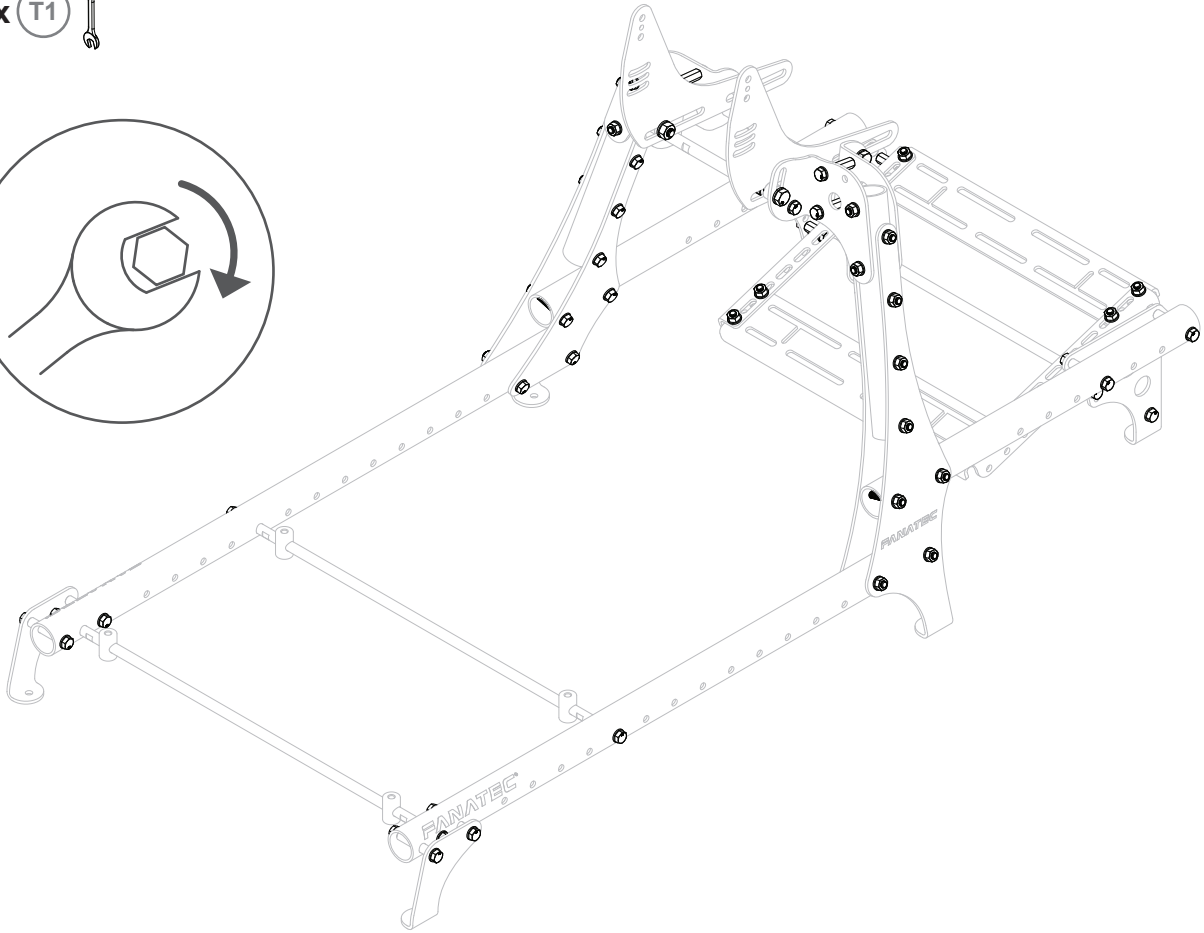
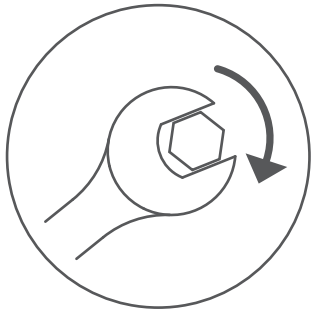
4x P1



Podium DD1 / 2
Wheel Base

ClubSport DD / DD+
CSL DD / GT DD PRO
Wheel Base

15 2x T1 

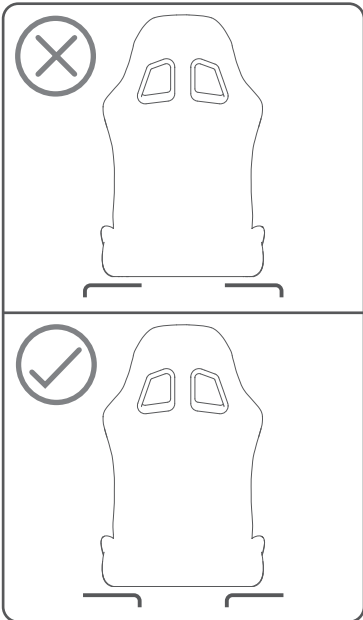
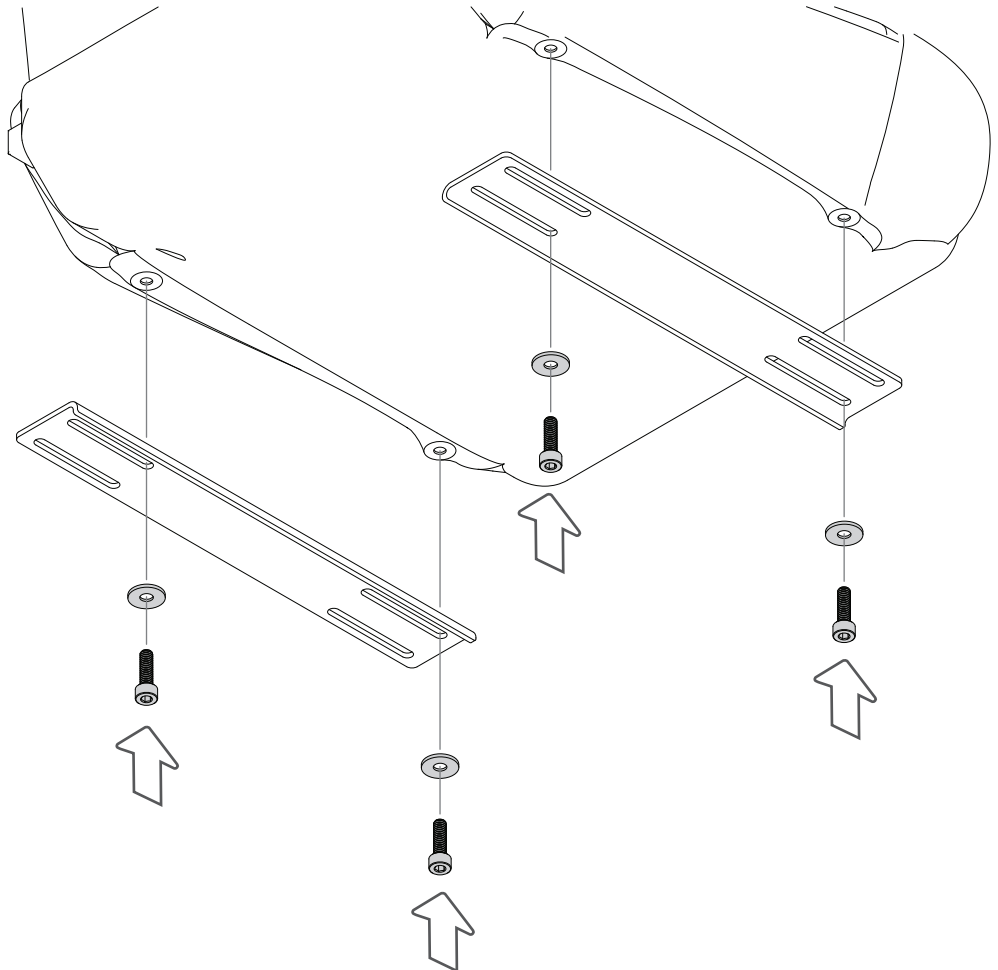
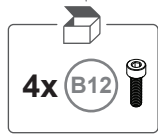


16 1x q

2x g

4x W4

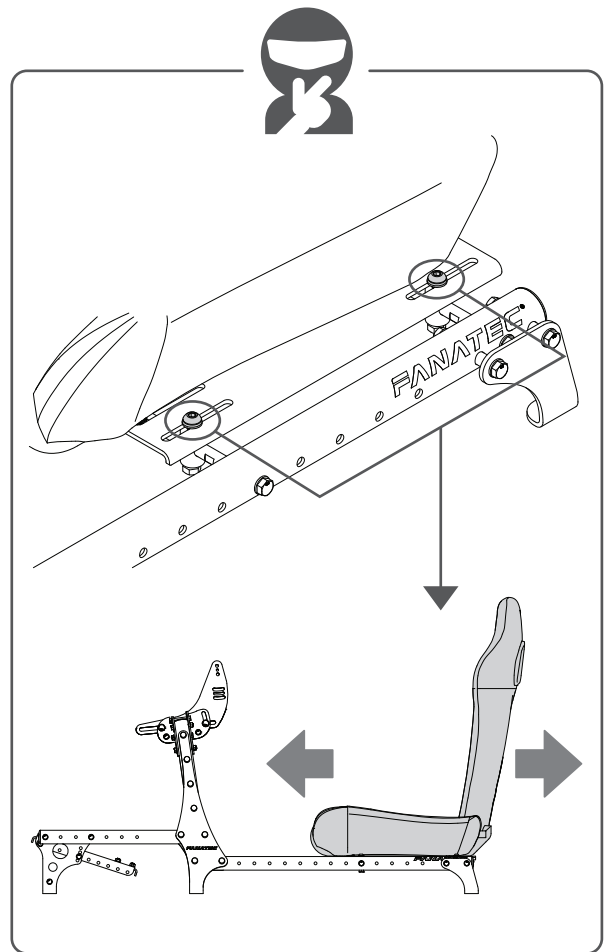
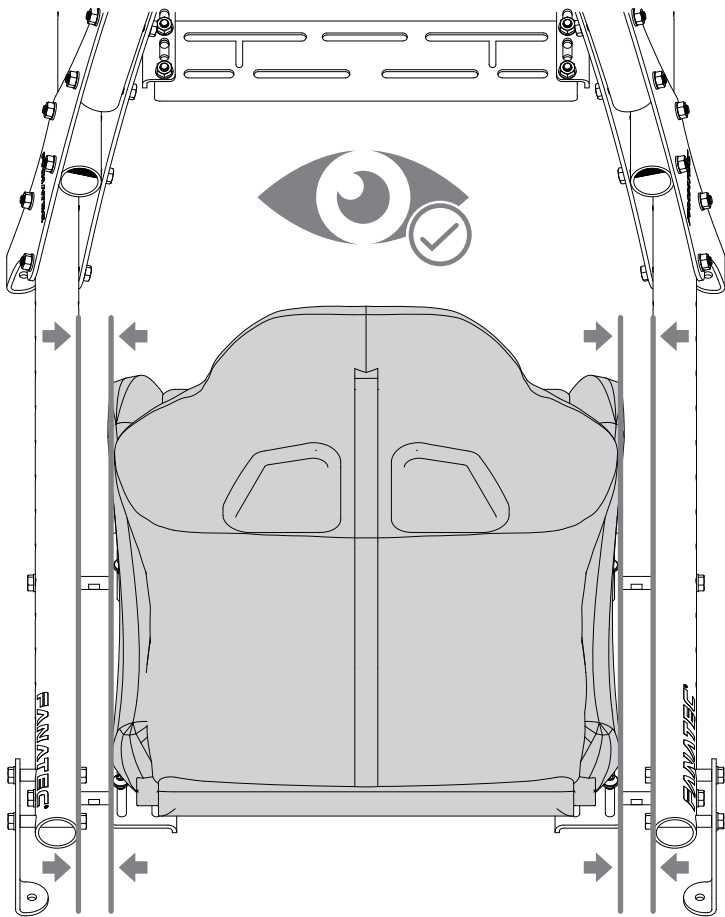
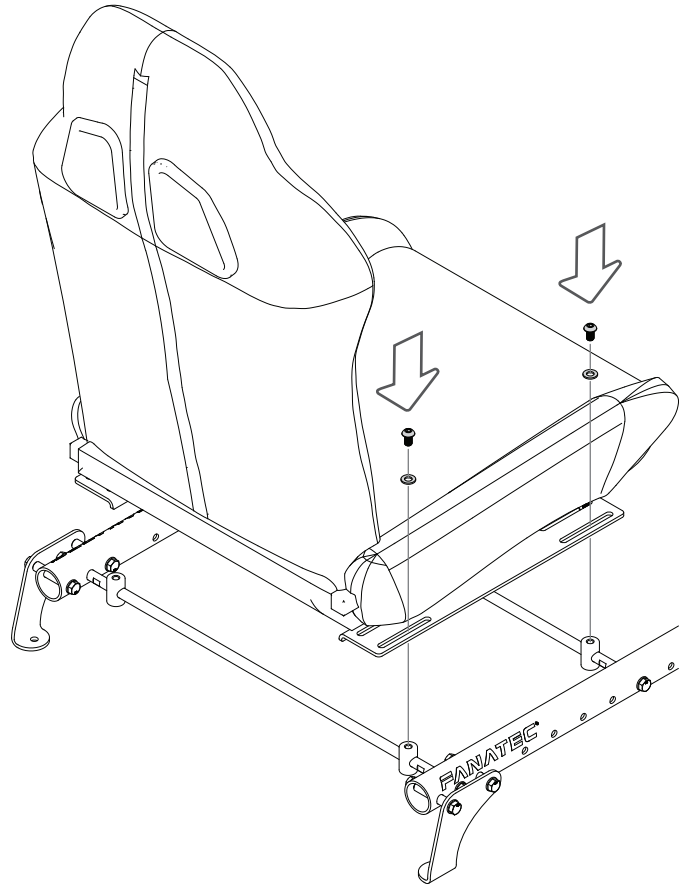
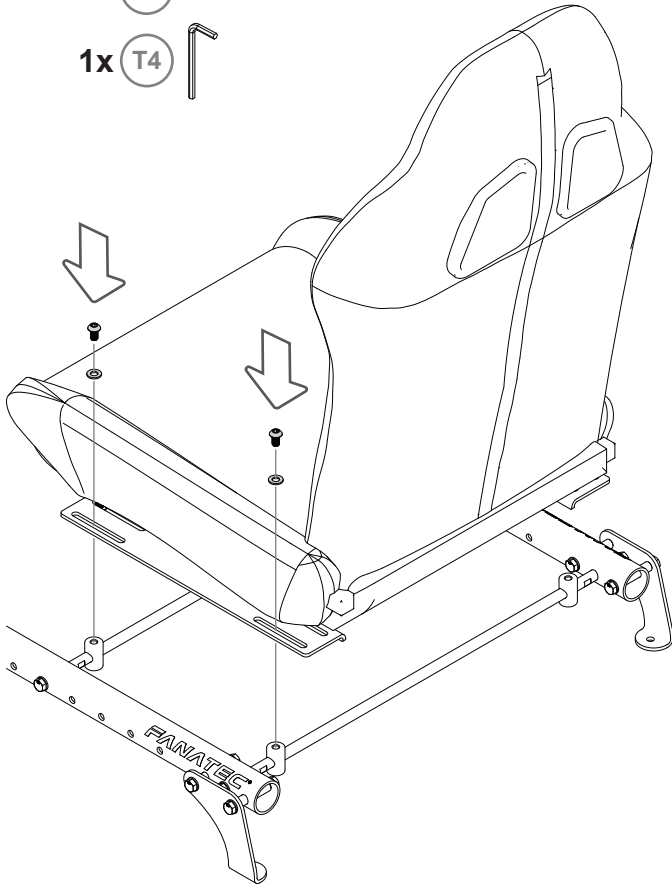
1x T4



17 4x B11

4x W2

1x T4

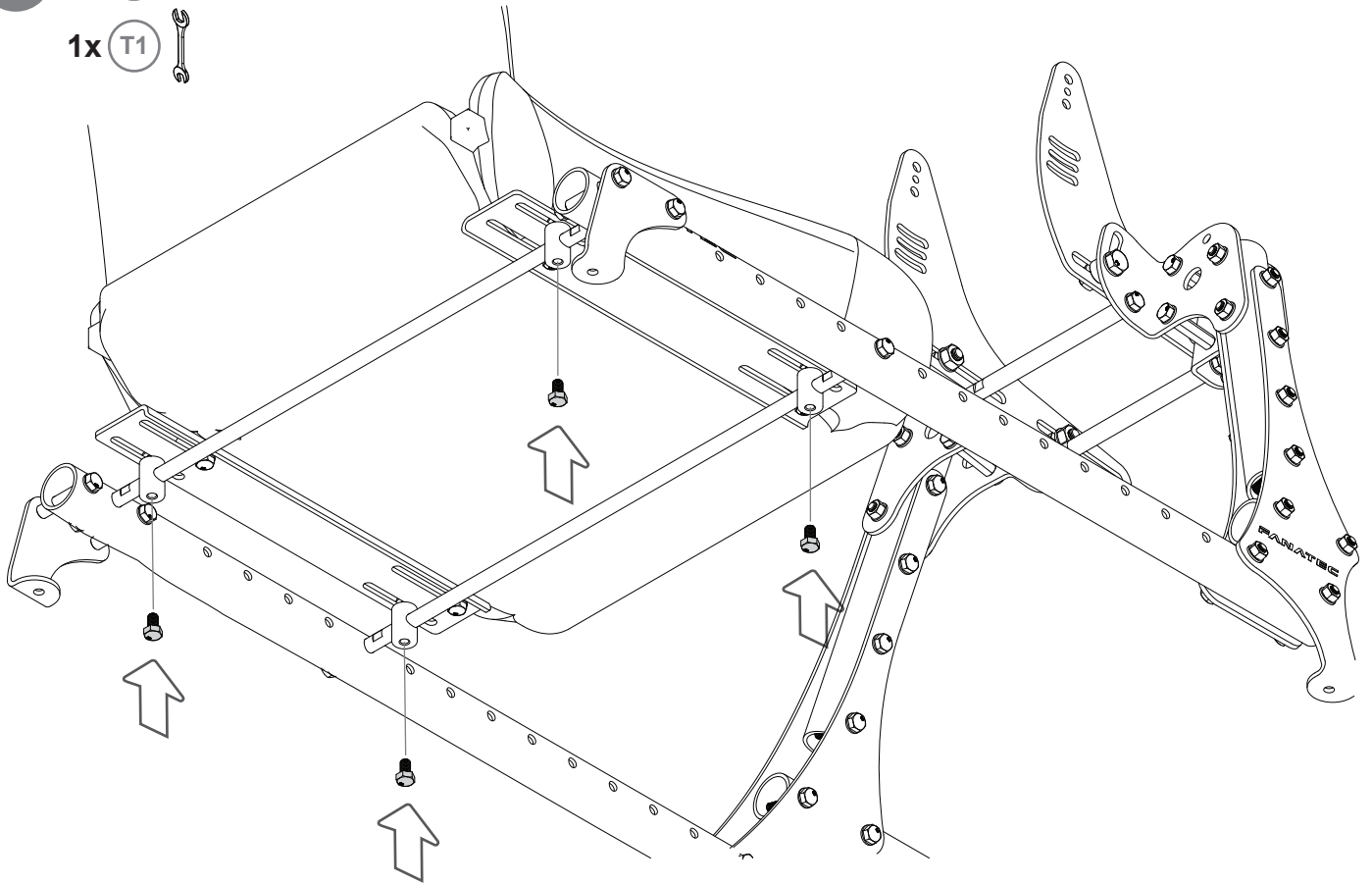


18

4x B4



1x T1



19

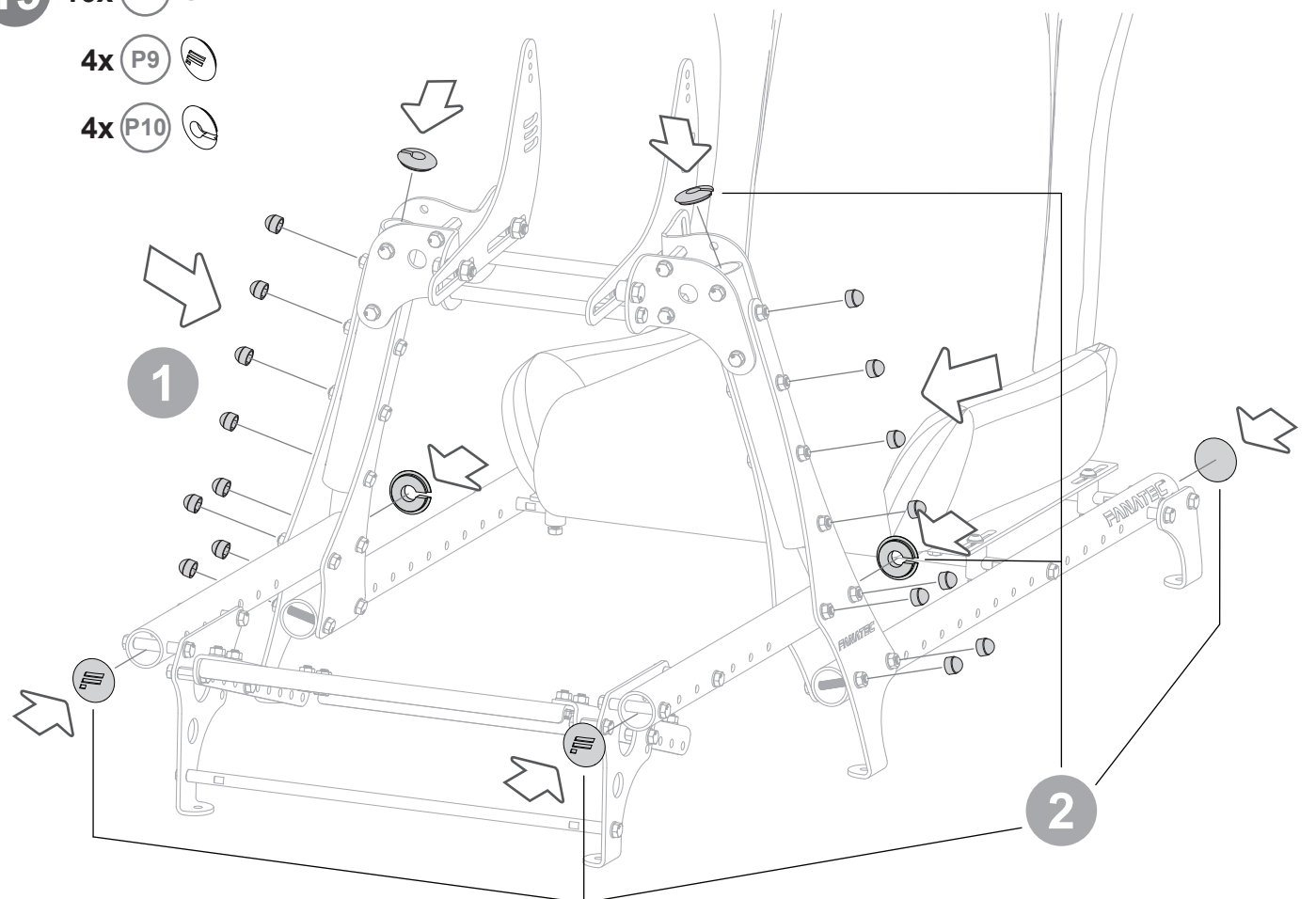
16x P6

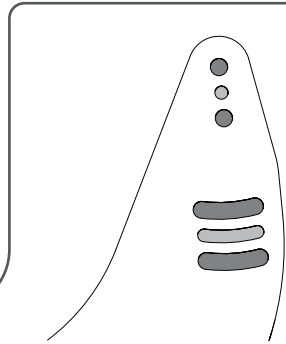
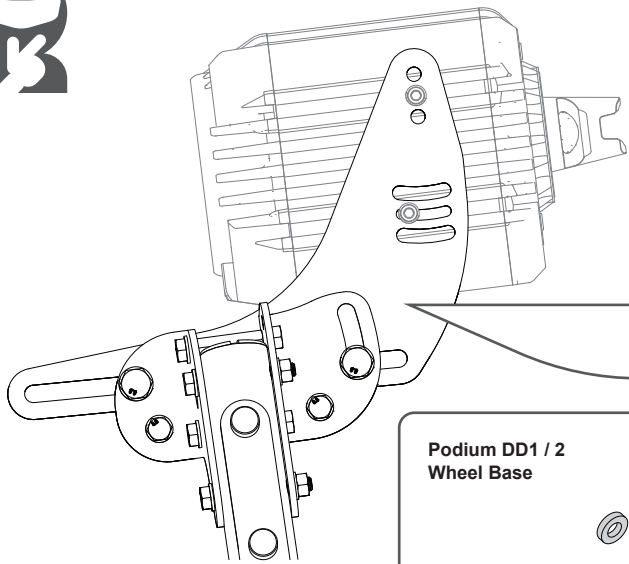


4x P9



4x P10

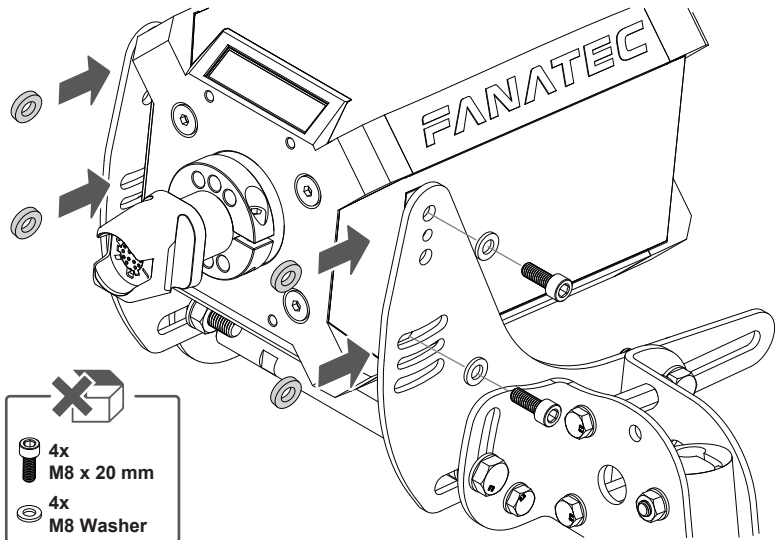




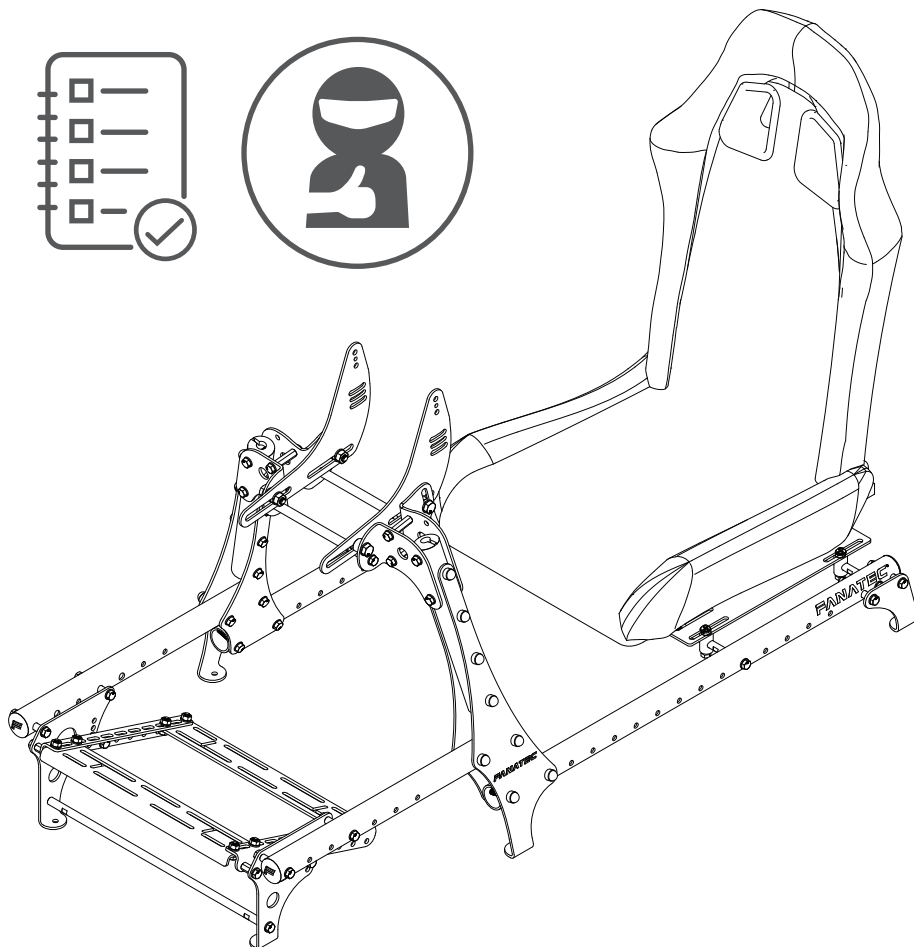
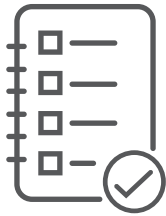
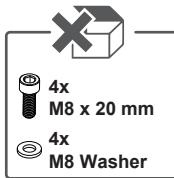
● Podium DD1 / 2
Wheel Base

● ClubSport DD / DD+
CSL DD / GT DD PRO
Wheel Base

Podium DD1 / 2
Wheel Base



4x W7

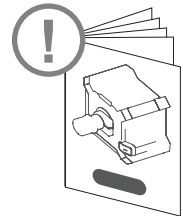


4x B6

4x W3

4x W7

1x T3



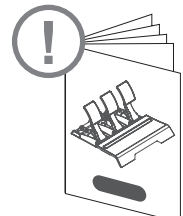
Fanatec.com/manuals

4x B7

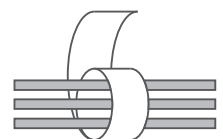
8x W2

4x N2

1x T4



5x T2





FR Support technique; DE Unterstützung; ES Soporte técnico; IT Supporto tecnico; PT Suporte técnico



VIDEO
MANUAL



Fanatec.com/QR/CSL-C



Fanatec.com/app



Fanatec.com/support/faq

- EN** The product warranty is provided by Endor AG. Refer to the included warranty sheet as well as the terms & conditions of Endor AG on fanatec.com.
- FR** Ce produit est sous la garantie d'Endor AG. Reportez-vous aux fiches de garantie incluses ainsi qu'aux conditions générales d'Endor AG sur fanatec.com.
- DE** Dieses Produkt unterliegt der Garantie der Endor AG. Beachten Sie die beiliegenden Garantieblätter sowie die Allgemeinen Geschäftsbedingungen der Endor AG auf fanatec.com.
- ES** Este producto está bajo garantía de Endor AG. Consulte las hojas de garantía incluidas, así como los términos y condiciones de Endor AG en fanatec.com.
- IT** Questo prodotto è coperto dalla garanzia di Endor AG. Fare riferimento ai fogli di garanzia inclusi nonché ai termini e condizioni di Endor AG su fanatec.com.
- PT** Este produto está sob garantia da Endor AG. Consulte as folhas de garantia incluídas, bem como os termos e condições da Endor AG em fanatec.com.



Importers:

Imported and distributed by Endor America LLC
8200 Wilshire Blvd. Suite 200 - Beverly Hills CA 90211 - USA
Telephone: +1 321-655-3524
Email: webshop@fanatec.com
Website: www.fanatec.com - www.endor.ag

Endor Australia Pty Ltd
3 Staley Street, California Gully, Vic, 3556 - Australia
Telephone: 661 453 979 40
Email: webshop@fanatec.com
Website: www.fanatec.com - www.endor.ag

Endor Japan Kabushikigaisya
E5001 3-13-1, Harumi Cyuo-ku Tokyo-to
Tokyo 104-0053 - Japan
Telephone: 03-6717-2719
Email: webshop@fanatec.com
Website: www.fanatec.com - www.endor.ag

Manufactured and distributed by

ENDOR®

Fanatec® is a registered trademark of Endor AG
Designed and developed by Endor AG in Germany

E.ON-Allee 3 - 84036 Landshut - Germany
EU: 00800 0 FANATEC or +49 (871) 9221-122
US/CANADA: 011 800 0 FANATEC or +49 (871) 9221-122
AUSTRALIA: 00800 0 FANATEC or +49 (871) 9221-122
JAPAN: +81 306 7172-719
Email: info.webshop@fanatec.com
Website: www.fanatec.com - www.endor.ag
Made in China