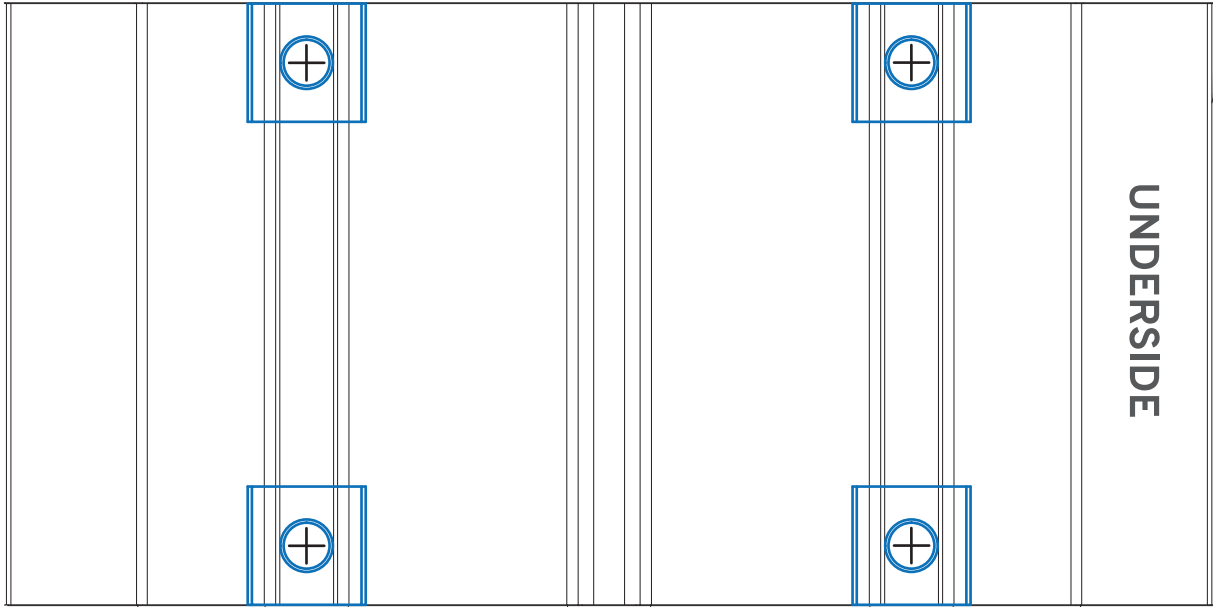


OPTION 1

1:1

FRONT

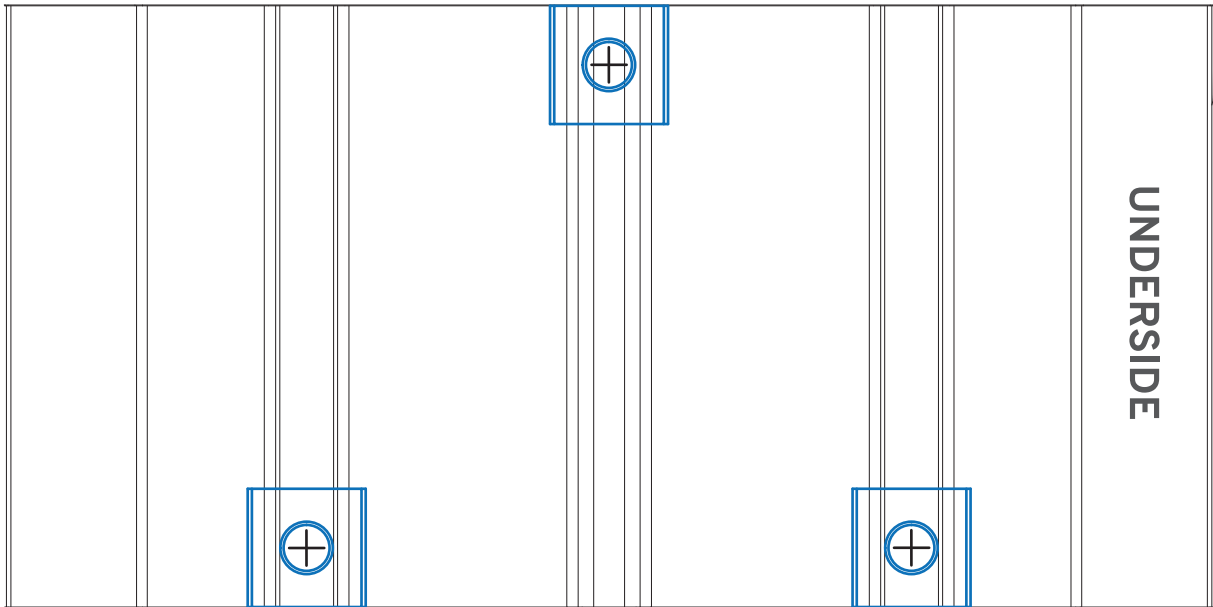


REAR

OPTION 2

1:1

FRONT



REAR



Paper size = A4  
Print size = 100%  
Print page 2 only