

FANATEC

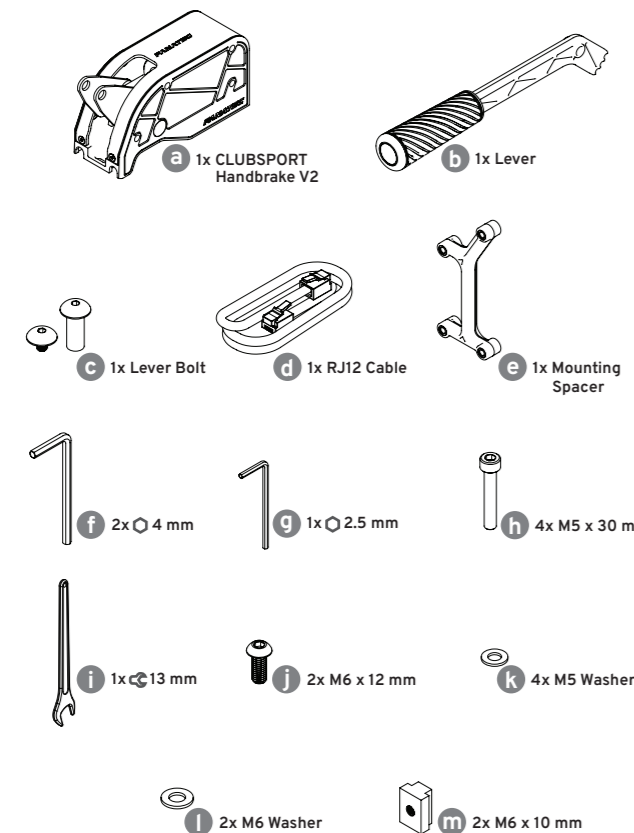
CLUBSPORT HANDBRAKE V2

EN Quick Guide
FR Guide De Démarrage Rapide
DE Kurzanleitung
ES Guía Rápida
IT Guida Rapida
PT Guia Rápido

Release Rev. 02

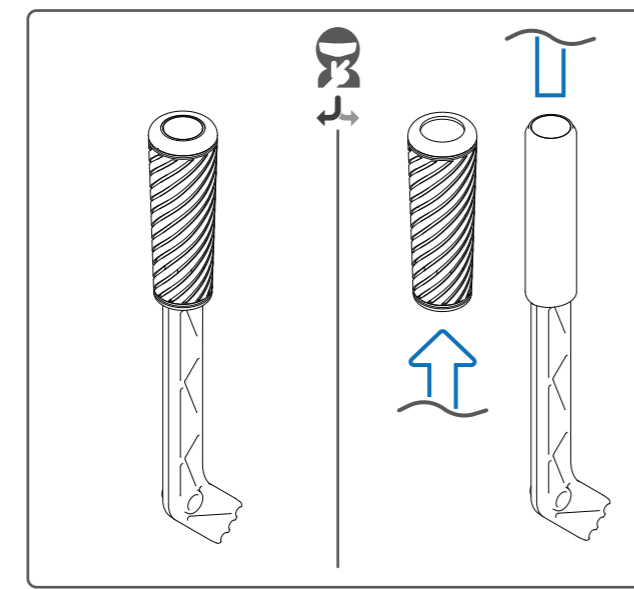
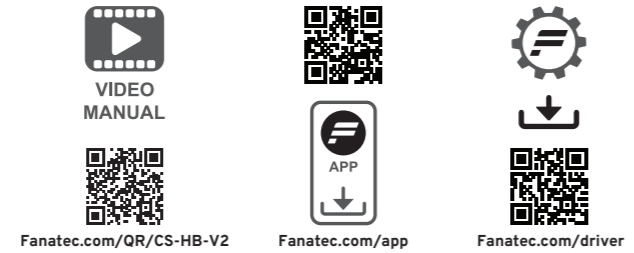
A PACKAGE CONTENTS

FR Contenu de l'emballage; DE Lieferumfang; ES Contenido del embalaje;
IT Contenuto della confezione; PT Conteúdo da embalagem



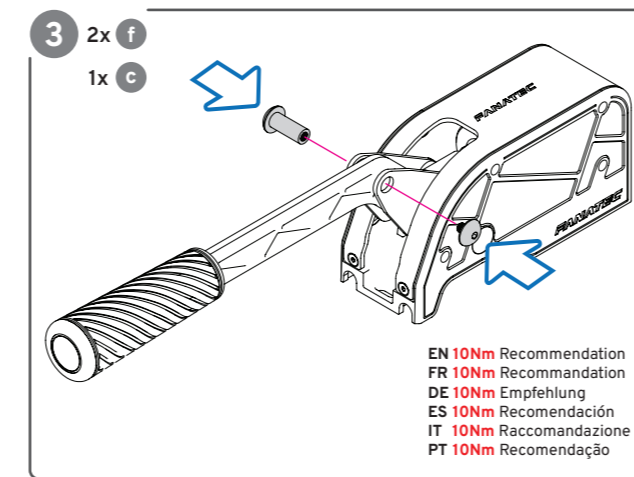
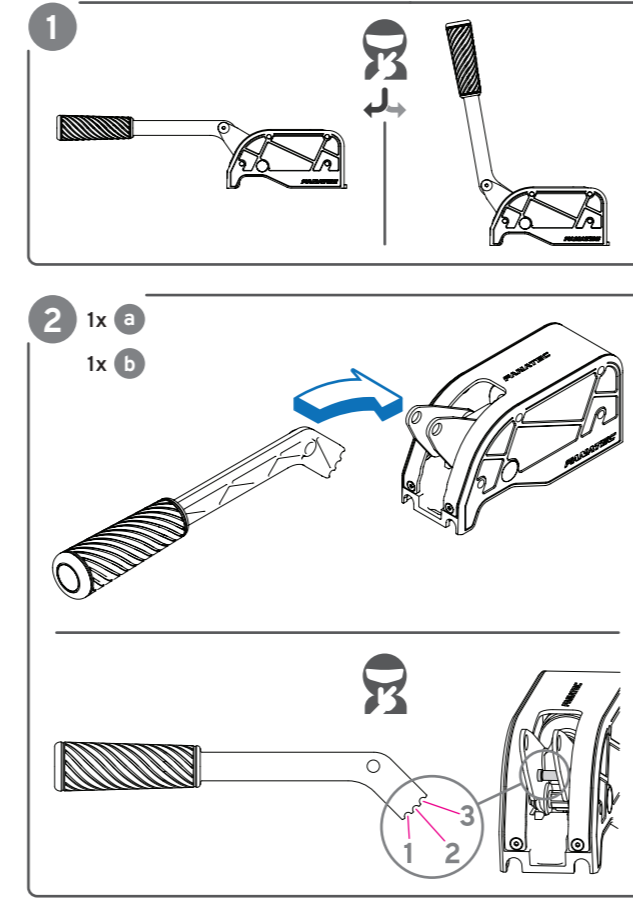
B GETTING STARTED

FR Pour commencer; DE Erste Schritte; ES Cómo comenzar;
IT Come iniziare; PT Começando



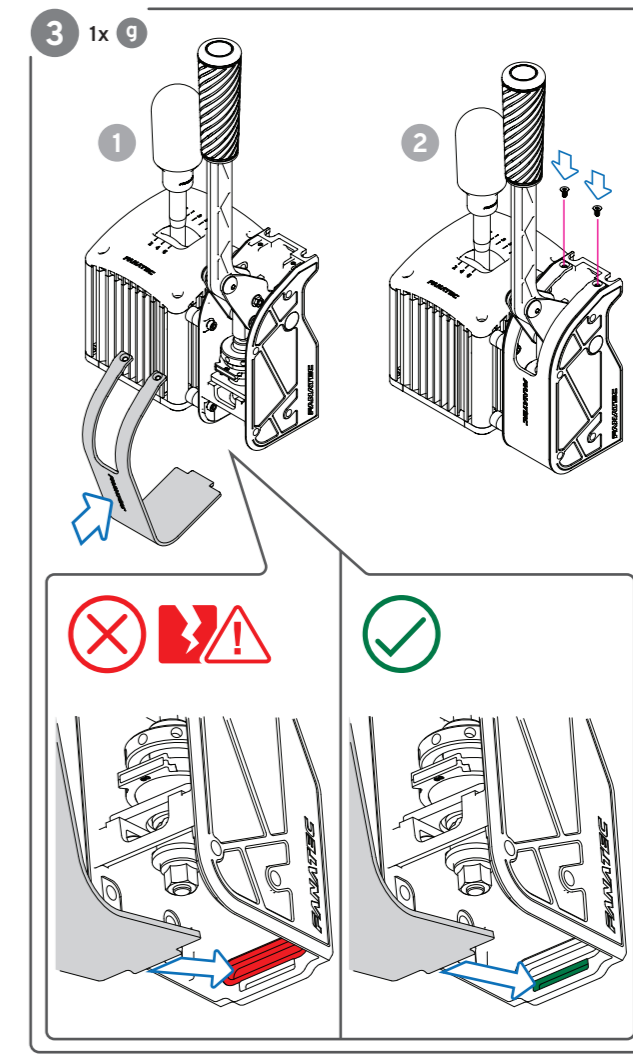
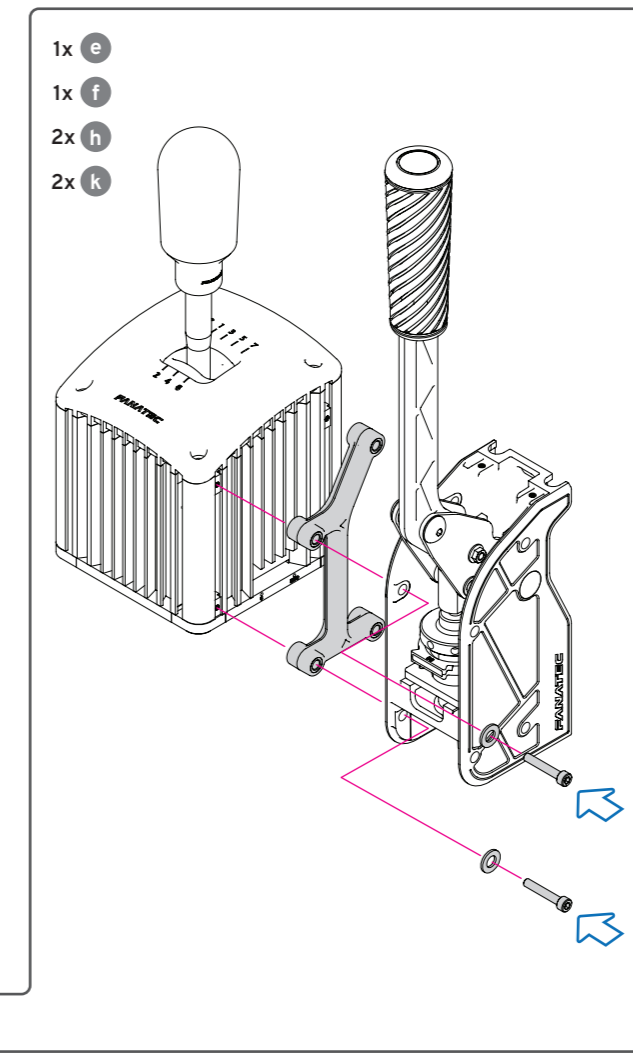
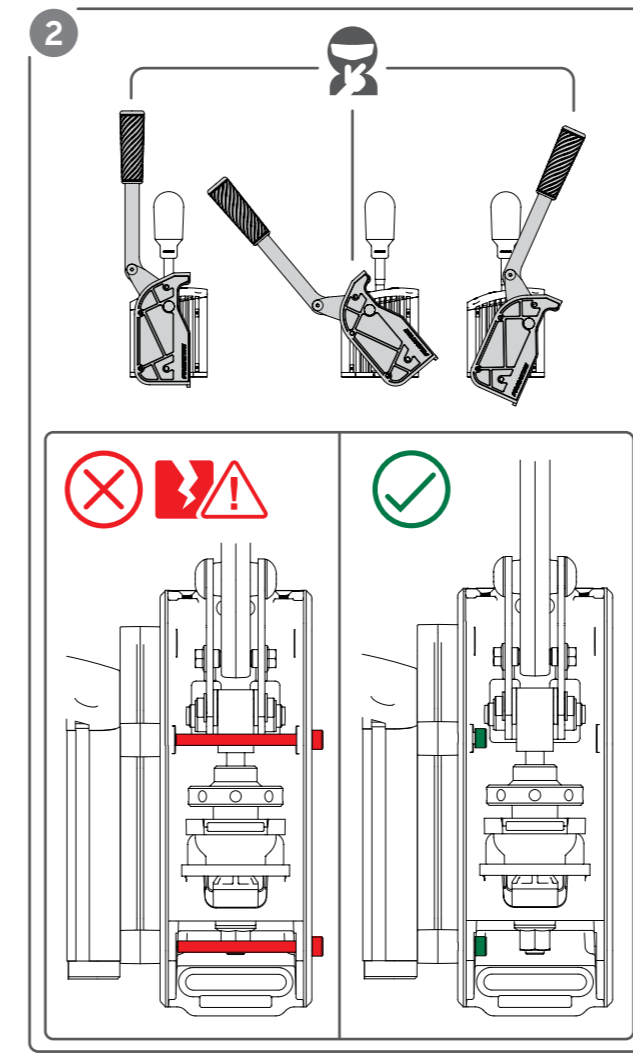
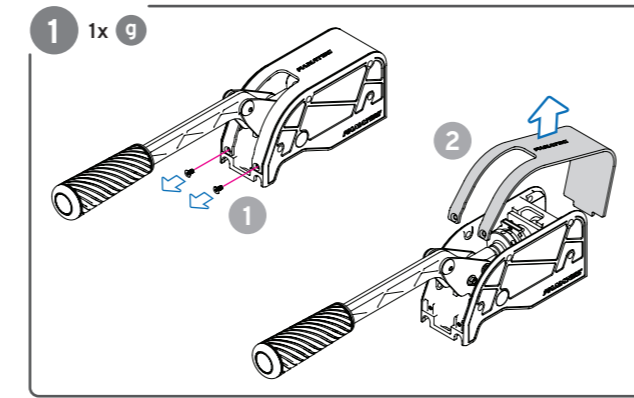
C HANDBRAKE ASSEMBLY

FR Assemblage; DE Montage; ES Montaje;
IT Montaggio; PT Montagem



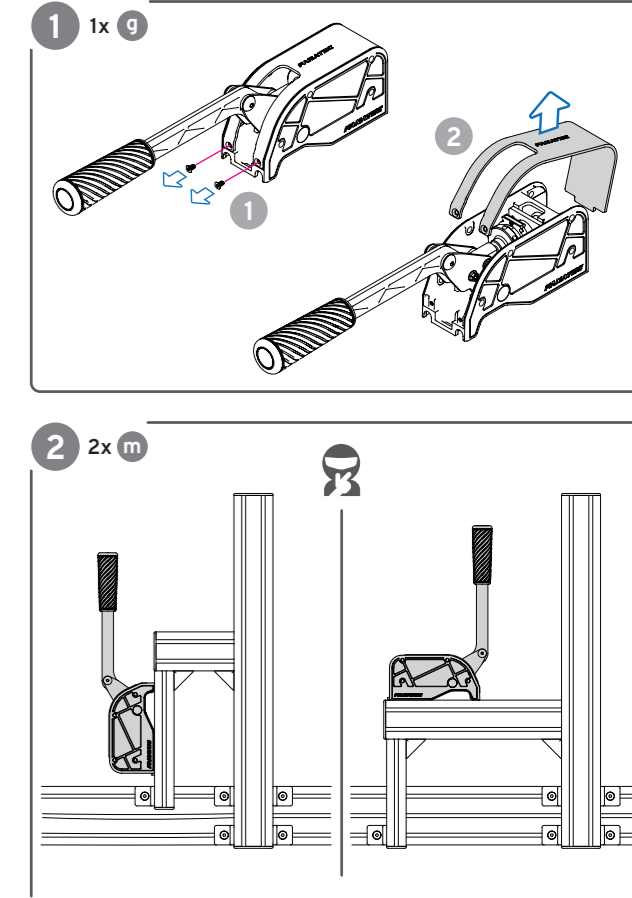
D MOUNTING - CLUBSPORT SHIFTER SQ V1.5

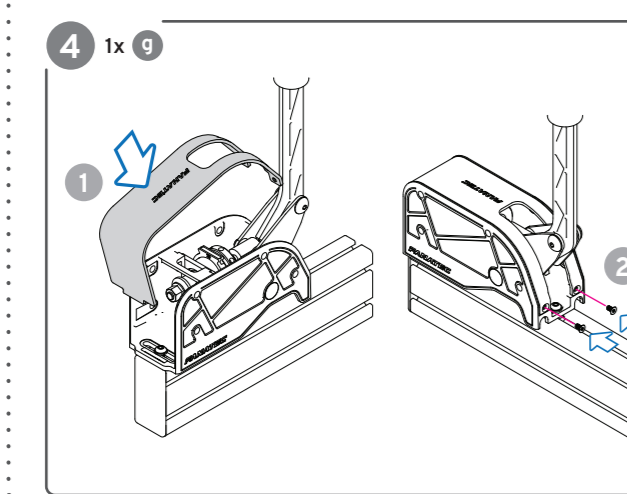
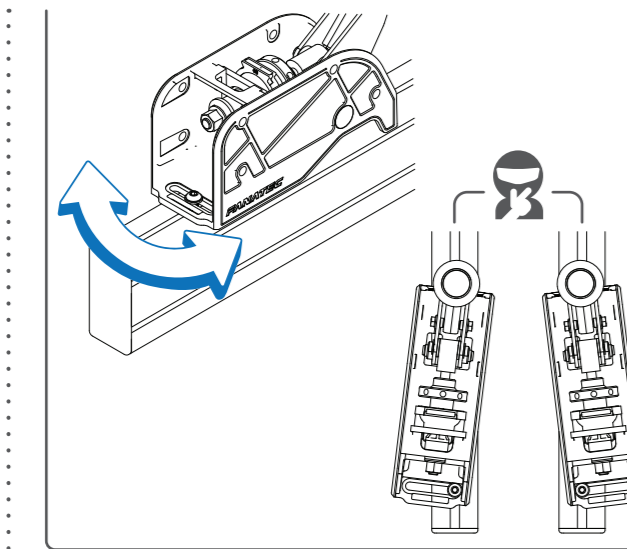
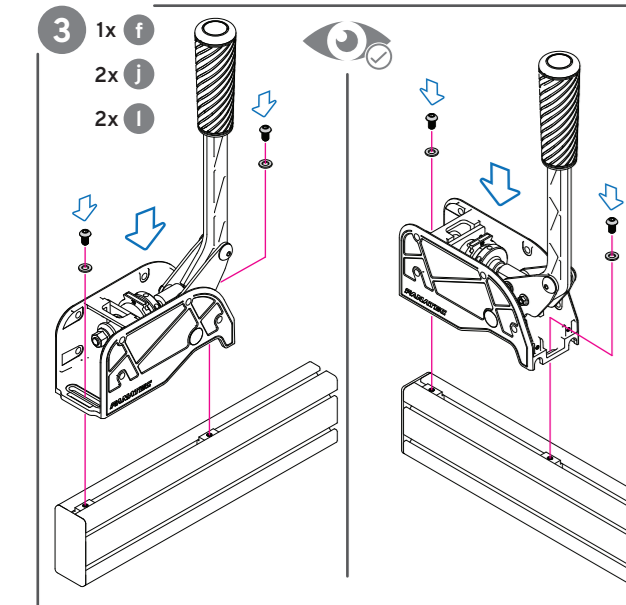
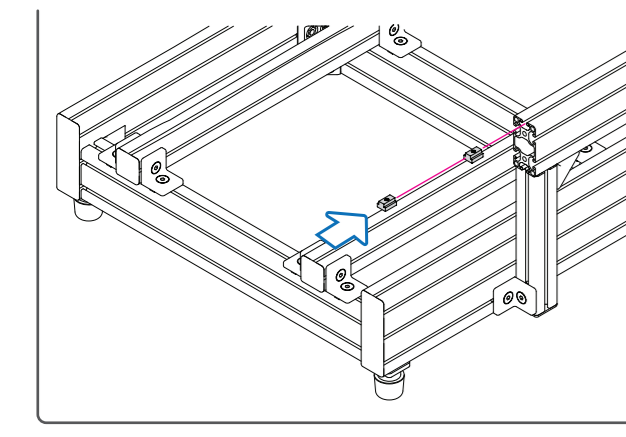
FR Fixation; DE Befestigung; ES Fijación;
IT Montaggio; PT Fixação



E MOUNTING - PROFILE COCKPIT

FR Fixation; DE Befestigung; ES Fijación;
IT Montaggio; PT Fixação





F CONNECTIONS

FR Raccordements; DE Anschlüsse; ES Conexiones; IT Connessioni; PT Ligações

WHEEL BASE
HANDBRAKE
PEDALS

CLUBSPORT PEDALS V3
CSL ELITE PEDALS V2
CSL PEDALS & LOADCELL KIT

CLUBSPORT USB ADAPTER

G OPTIONAL ADJUSTMENTS

FR Ajustements optionnels; DE Optionale Anpassungen; ES Ajustes opcionales; IT Regolazioni opzionali; PT Ajustes opcionais

EN Spacer options; FR Options d'espacement; DE Optionen für Abstandhalter; ES Opciones de espaciadores; IT Opzioni del distanziatore; PT Opções de espaçadores

1x **i**

EN Lever angle; FR Angle du levier; DE Winkel des Hebels; ES Ángulo de la palanca; IT Angolo della leva; PT Ângulo da alavanca

1x **f**

EN Preload; FR Précharge; DE Vorspannung; ES Precarga; IT Precarico; PT Pré-carga

10x max.

10x max.

H SUPPORT

FR Support technique; DE Unterstützung; ES Soporte técnico; IT Supporto tecnico; PT Suporte técnico

VIDEO MANUAL

APP

Fanatec.com/QR/CS-HB-V2
Fanatec.com/app
Fanatec.com/support/faq

EN The product warranty is provided by Corsair GmbH. Refer to the terms & conditions of Corsair GmbH on fanatec.com.
FR La garantie du produit est fournie par Corsair GmbH. Veuillez consulter les conditions générales de Corsair GmbH sur fanatec.com.
DE Die Produktgarantie wird von der Corsair GmbH gewährt. Bitte beachten Sie die Allgemeinen Geschäftsbedingungen der Corsair GmbH auf fanatec.com.
ES La garantía del producto la proporciona Corsair GmbH. Consulte los términos y condiciones de Corsair GmbH en fanatec.com.
IT La garanzia del prodotto è fornita da Corsair GmbH. Consultare i termini e le condizioni di Corsair GmbH su fanatec.com.
PT A garantia do produto é fornecida pela Corsair GmbH. Consulte os termos e condições da Corsair GmbH em fanatec.com.

FANATEC

Telephone: 00800 0 FANATEC or +49 (871) 9221-122
US/CAN Telephone: 011 800 0 FANATEC or +49 (871) 9221-122
Australia Telephone: 00800 0 FANATEC or +49 (871) 9221-122
Japan Telephone: 03-6717-2719 or +49 (871) 9221-122
Email: info.webshop@fanatec.com
Internet: www.fanatec.com - www.corsair.com

CORSAIR MEMORY, BV.
Wormerweg 8, 1311 XB, Almere, Netherlands

CORSAIR COMPONENTS, Ltd.
1020 Eskdale Road, Winnersh Triangle,
Wokingham, RG41 5TS, UK

CORSAIR MEMORY, Inc.
115 North McCarthy Blvd, Milpitas, CA 95035, USA

WARNING: Choking Hazard - small parts. Not for children under 6 years.
For home and office use only.

CE UK PA

Designed in Germany
Made in China