

# PODIUM

KILL SWITCH

## QuickGuide

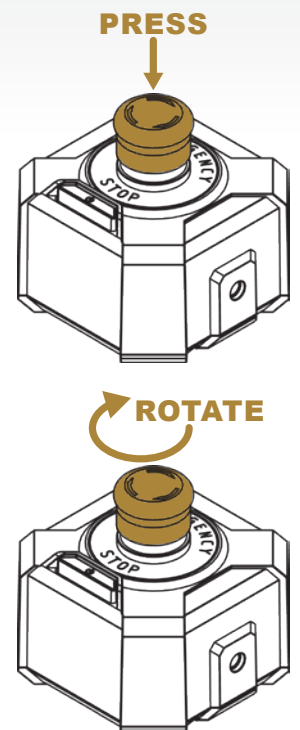
EN



### EMERGENCY STOP

In case of an emergency, stop the wheel base by pressing the Emergency Stop button.

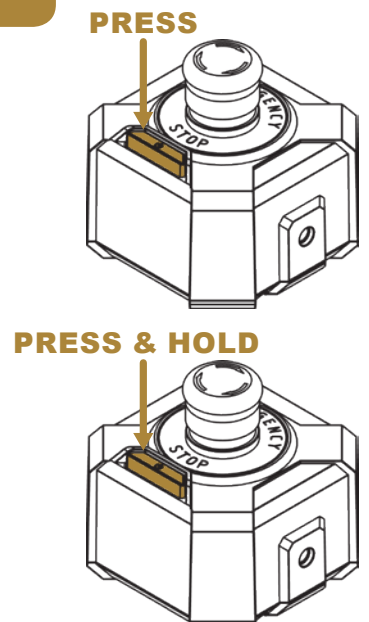
In order to resume function, the Emergency Stop button must be reset. To reset it, rotate the button clockwise, until it lifts back up.



### POWER ON & OFF

The Podium Kill Switch has a Power Button to turn the wheel base on and off. To turn on the wheel base, press the power button for approximately one second and release.

To turn off the wheel base, press and hold the power button for approximately 5 seconds and then release.



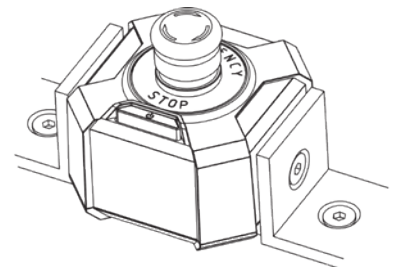
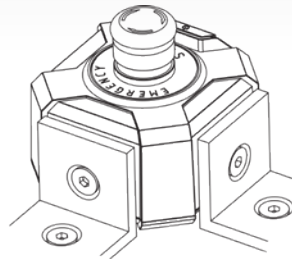
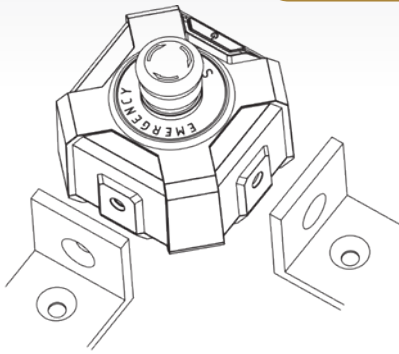
## PODIUM KILL SWITCH

# QuickGuide

EN



## MOUNTING METHODS

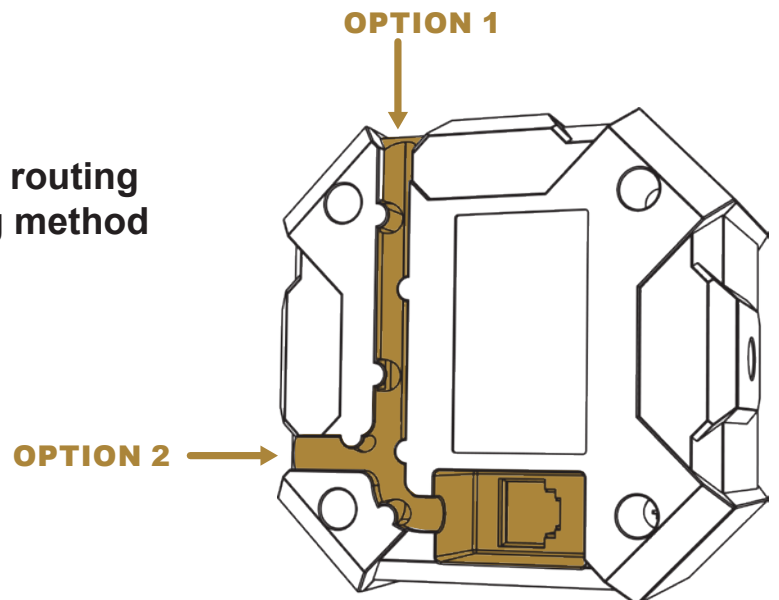


The M6 threaded plates on the Podium Kill Switch allow for various mounting methods.

**⚠ NOTE:** Shown mounting brackets are design suggestions – **not included!**

## CABLE OPTIONS

The Podium Kill Switch has two cable routing options, depending on your mounting method



Manufactured by

**ENDOR®**

Fanatec® is a registered trademark of Endor AG  
Designed and developed by Endor AG in Germany  
Seligenthaler Straße 16 a - 84034 Landshut - Germany  
Telephone: +49 (871) 9221-122 Fax: +49 (871) 9221-221  
Email: info.webshop@fanatec.com  
Website: www.fanatec.com - www.endor.ag



www.fanatec.com